

# HOZELOCK

4712  
4716  
4416

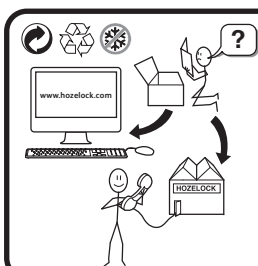
## Pulsar Plus Comfort



Total volume • Capacité totale •  
Totale Kapazität • Totale capacitate  
• Capacidad total • Capacità totale



Total volume • Capacité totale •  
Totale Kapazität • Totale capacitate  
• Capacidad total • Capacità totale



Hozelock-Exel  
891 route des Frênes - 69653  
Villefranche-sur-Saône Cedex  
FRANCE

Hozelock Ltd  
Midpoint Park, Birmingham,  
B76 1AB. ENGLAND  
Tel: +44 (0) 121 313 1122

Hozelock Australia Pty Ltd  
(ABN 83 154 891 648)  
Unit 42 / 74 Indian Drive  
Keysborough Victoria 3173  
1300 275175  
australi@mail@hozelock.com

[www.hozelock.com](http://www.hozelock.com)

Réf. 585756



UK	<u>The instructions must be read before use</u>
F	<u>À lire impérativement avant la mise en service</u>
D	<u>Diese Anleitung vor Inbetriebnahme bitte unbedingt lesen</u>
NL	<u>Lees deze gebruiksaanwijzing voordat u het apparaat gebruikt</u>
E	<u>Leer obligatoriamente antes de la primera utilización.</u>
S	<u>Läs noga före användning</u>
N	<u>Må leses før apparatet tas i bruk.</u>
FIN	<u>Ohjeet on välttämätöntä lukea ennen käytön aloittamista</u>
DK	<u>Skal altid læses inden idriftsættelse</u>
I	<u>Da leggere tassativamente prima della messa in servizio</u>
P	<u>A ler imperativamente antes da colocação em serviço.</u>
PL	<u>Obowiązkowo przeczytać przed uruchomieniem</u>
GR	<u>Διαβάστε οπωσδήποτε τις οδηγίες πριν θέσετε τη συσκευή σε λειτουργία</u>
RU	<u>Обязательно прочтите настоящее руководство перед началом эксплуатации.</u>
RO	<u>De citit obligatoriu înainte de punerii în funcțiune</u>

1



x1  
A



x2  
B



x1  
C



x1  
D

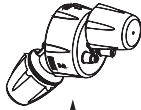


x1  
E

Ref. 282867



x1  
F



x1  
F



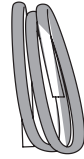
x1  
G



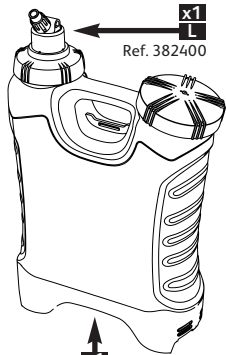
x1  
H



x1  
I



x1  
O

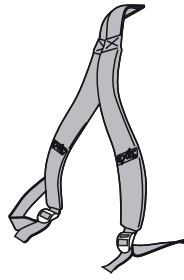


x1  
M

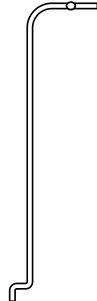
x1  
L  
Ref. 382400



x1  
K



x1  
J



x1  
N



x1  
P



x1  
Q



x1  
R

## UK

A. Agitator / B. Nut /  
 C. C-clip / D. Filter /  
 E. Handle /  
 F. Nozzle or multi-nozzle  
 (depending on the model) /  
 G. Nut / H. Metal clip /  
 I. Harness retainer /  
 J. Strap / K. Pump handle /  
 L. Pump / M. Tank  
 N. Connecting rod / O. Hose /  
 P. Lance tube / Q. Manual /  
 R. 1 Bar pressure regulator  
 (depending on the model)

## F

A. Agitateur / B. Écrou /  
 C. Clip levier / D. Filtre /  
 E. Poignée /  
 F. Buse ou buse multi-jets  
 (selon modèle) /  
 G. Écrou / H. Goupille /  
 I. Accroche bretelle /  
 J. Bretelle / K. Levier  
 de sécurité / L. Pompe /  
 M. Réservoir / N. Bielle /  
 O. Tuyau /  
 P. Tube de lance / Q. Notice /  
 R. Régulateur de pression  
 1 Bar (selon modèle)

## D

A. Mischer / B. Mutter /  
 C. Hebelclip / D. Filter /  
 E. Griff / F. Düse /  
 G. Mutter /  
 H. Stift /  
 I. Hosenträgerhaken /  
 J. Gurt /  
 K. Hebel /  
 L. Pumpe / M. Behälter /  
 N. Stange /  
 O. Schlauch / P. Spritzrohr /  
 Q. Anleitung /  
 R. 1-bar-Druckregler (je  
 nach Modell)

## NL

A. Menger / B. Moer /  
 C. Hendel clip / D. Filter /  
 E. Handgreep / F. Mondstuk /  
 G. Moer /  
 H. Pin / I. Jarretelhaak /  
 J. Band / K. Hefboom /  
 L. Pomp / M. Tank /  
 N. Staaf /  
 O. Slang / P. Sproeians /  
 Q. Handleiding /  
 R. Drukregelaar 1 bar  
 (afhankelijk van het  
 model)

**E**

A. Mezclador / B. Tuerca /  
 C. Clip de palanca /  
 D. Filtro /  
 E. Mango / F. Boquilla /  
 G. Tuerca / H. Alfiler /  
 I. Gancho de suspensión /  
 J. Correa / K. Palanca /  
 L. Bomba /  
 M. Depósito / N. Vara /  
 O. Tubo /  
 P. Tubo de la lanza /  
 Q. Manual /  
 R. Regulador de presión  
 de 1 bar (según el modelo)

**S**

A. Bländare / B. Mutter /  
 C. Spakklämna / D. Filter /  
 E. Handtag / F. Munstycke /  
 G. Mutter / H. Nål /  
 I. Hängslingkrok /  
 J. Bärsele /  
 K. Håvarm /  
 L. Pumpen / M. Behållaren /  
 N. Stav / O. Slang /  
 P. Spjutrör /  
 Q. Bruksanvisning /  
 R. tryckregulator för 1 bar  
 (beroende på modell)

**N**

A. Mikser / B. Mutter /  
 C. Spakklemme / D. Filter /  
 E. Håndtak /  
 F. Dyse / G. Mutter /  
 H. Tapp /  
 I. Hengekrok / J. Stropp /  
 K. Spaken /  
 L. Pumpen /  
 M. Beholderen /  
 N. Stang /  
 O. Slange / P. Pekerør /  
 Q. Bruksanvisning /  
 R. 1 bar trykregulator  
 (avhengig av modell)

**FIN**

A. Mikseri / B. Mutteri /  
 C. Vipu klipsi /  
 D. Suodatin /  
 E. Kahva / F. Suutin /  
 G. Mutteri /  
 H. Tappi /  
 I. Jousikoukku /  
 J. Hihna / K. Vipu /  
 L. Pumppu / M. Säiliöön /  
 N. Sauva /  
 O. Letku / P. Varren letku /  
 Q. Käyttöohje /  
 R. 1 baarin paineensäädin  
 (riippuu mallista)

**DK**

A. Mixer / B. Møtrik /  
 C. Spakklemme /  
 D. Filter / E. Håndtag /  
 F. Dyse / G. Møtrik /  
 H. Pin /  
 I. Hængerkrog /  
 J. Bæresele /  
 K. Løftestang /  
 L. Pumpen / M. Beholderen /  
 N. Stang /  
 O. Slange / P. Lanseslange /  
 Q. Brugervejledning /  
 R. 1 bar-trykregulator (af-  
 hængigt af modellen)

**I**

A. Miscelatore / B. Dado /  
 C. Clip a leva / D. Filtro /  
 E. Impugnatura /  
 F. Ugello / G. Dado /  
 H. Perno /  
 I. Gancio per bretelle /  
 J. Bretella / K. Leva /  
 L. Pompa /  
 M. Serbatoio / N. Asta /  
 O. Tubo /  
 P. Tubo della lancia /  
 Q. Avvertenze / R. Regola-  
 tore di pressione da 1 bar  
 (a seconda del modello)

**P**

A. Batedeira / B. Porca /  
 C. Clipe de alavanca /  
 D. Filtro /  
 E. Punho / F. Bico /  
 G. Porca / H. Pino /  
 I. Gancho de suspensão /  
 J. Alça / K. Alavanca /  
 L. Bomba / M. Depósito /  
 N. Haste / O. Tubo /  
 P. Tubo de lança /  
 Q. Manual / R. Regulador  
 de pressão 1 bar (depen-  
 dendo do modelo)

**PL**

A. Mikser / B. Nakrętka /  
 C. Zacisk dźwigni /  
 D. Filtr / E. Uchwyt /  
 F. Dysza / G. Nakrętka /  
 H. Kotek /  
 I. Hak do pończoch /  
 J. Szelki / K. Dźwignia  
 bezpieczeństwa / L. Pompy /  
 M. Zbiornika /  
 N. Pręt / O. Przewód /  
 P. Rurka lancy /  
 Q. Instrukcja /  
 R. Regulator ciśnienia 1 bar  
 (w zależności od modelu)

**GR**

A. μίξερ / B. Παξιμάδι /  
 C. Κλιπ μοχλού /  
 D. Φίλτρο / E. Λαβή /  
 F. Μπεκ / G. Παξιμάδι /  
 H. καρφίτσα /  
 I. Αγκίστρι κρεμαστή /  
 J. Ιμάντας / K. μοχλός /  
 L. αντλία /  
 M. ρεζερβουάρ /  
 N. ράβδος /  
 O. Σωλήνας / P. Σωλήνας  
 αυλού / Q. Οδηγίες /  
 R. ρυθμιστής πίεσης 1 bar  
 (ανάλογα με το μοντέλο)

**RU**

A. смеситель / B. Гайка /  
 C. Рычаг клип / D. Фильтр /  
 E. Рукоятка / F. Сопло /  
 G. Гайка / H. шпилька /  
 I. Крючок для  
 подвешивания /  
 J. Ремень /  
 K. Рычаг /  
 L. носос / M. резервуаром /  
 N. стержень /  
 O. Трубка / P. Труба штанги /  
 Q. Руководство  
 по эксплуатации /  
 R. 1 регулятор  
 барометрического давления  
 (зависит от модели)

**RO**

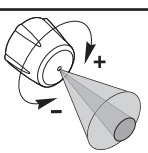

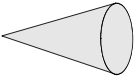
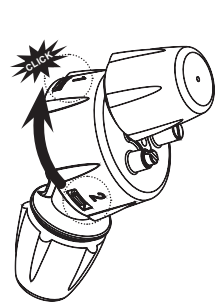
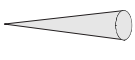
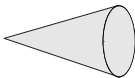
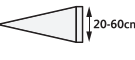
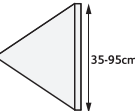
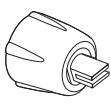

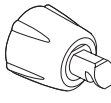
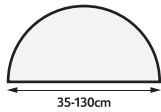
A. Mixer / B. Piuliță /  
 C. Clema pârghiei /  
 D. Filtru / E. Mâner /  
 F. Duză / G. Piuliță /  
 H. Bolț /  
 I. Cârlig suspendat /  
 J. Bretea / K. Pârghie /  
 L. Pompa / M. Rezervor /  
 N. Tijă /  
 O. Țeavă / P. Tubul lăncii /  
 Q. Manual /  
 R. Regulator de presiune  
 de 1 bar (în funcție de  
 model)

**2****3****4****5****6****7****8**

9	Reference / Référence	Empty mass* / Masse à vide*	Full mass** / Masse en charge**	Max pressure / Pression Maxi
Pulsar Plus Comfort 12L	4712	3,3 kg	15,3 kg	5 Bar
Pulsar Plus Comfort 16L	4716 4416	3,4 kg	19,4 kg	

**D** Maximaler Druck: 5 Bar - \*Leergewicht - \*\*Gewicht mit Last  
**NL** Max. druk: 5 Bar - \*Ledig gewicht - \*\*Beladen gewicht  
**E** Presión máx.: 5 Bar - \*Peso en vacío - \*\*Peso en carga  
**S** Maxtryck: 5 Bar - \*Vikt, tom - \*\*Vikt, påfyllt  
**N** Maksimālt trykks: 5 Bar - \*Vekt uten væske - \*\*Vekt med væske  
**FIN** Enimmäispaine: 5 Bar - \*Massa tyhjänä - \*\*Massa kuormattuna  
**DK** Maks. tryk: 5 Bar - \*Vægt når tom - \*\*Vægt under belastning

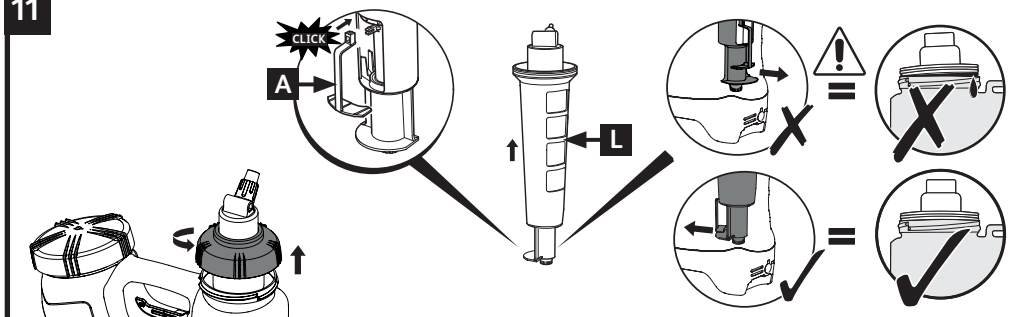
**I** Pressione max.: 5 Bar - \*Massa a vuoto - \*\*Massa con carico  
**P** Pressão máx.: 5 Bar - \*Peso vazio - \*\*Peso com carga  
**PL** Ciśnienie maks.: 5 Bar - \*Masa zbiornika pustego - \*\*Masa z obciążeniem  
**GR** Μέγιστη πίεση: 5 Bar - \*Μάζα χωρίς φορτίο - \*\*Μάζα με φορτίο  
**RU** Максимальное давление: 5 бар - \*Вес в пустом состоянии - \*\*Вес в заполненном состоянии  
**RO** Presiune max.: 5 Bar - \*Masă în gol - \*\*Masă încărcat

10	Nozzles / Buses	Pressure / Pression (Bar)			
		1 Bar	2 Bar	3 Bar	
		Flow rate / Débit (l/min)			
	Straight jet / Jet droit		0,9	1,2	1,5*
	Conical jet / Jet conique		0,4	0,55	0,7*
	1		0,9	1,2	1,5*
			0,5	0,6	0,7*
	2		0,5*	0,7	0,9
	3		0,9*	1,15	1,4
			0,6*	0,7	0,8
			0,5*	0,7	-

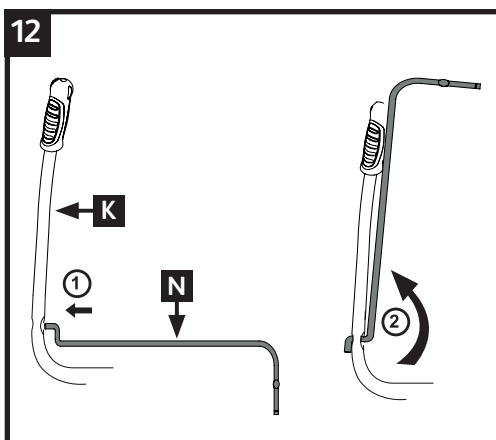
**UK** \*Recommended use pressure  
**F** \*Pression d'utilisation recommandée  
**D** \*Empfohlener Gebrauchsdruck  
**NL** \*Aanbevolen werkdruk  
**E** \*Presión de uso recomendada  
**S** \*Rekommenderat driftryck  
**N** \*Anbefalt brukstrykk  
**FIN** \*Suositeltu käyttöpain

**DK** \*Anbefalet brugstryk  
**I** \*Pressione raccomandata  
**P** \*Pressão de uso recomendada  
**PL** \*Zalecane ciśnienie użytkowania  
**GR** \*Συνιστώμενη πίεση χρήσης  
**RU** \*Рекомендованное эксплуатационное давление  
**RO** \*Presiunea de utilizare recomandată

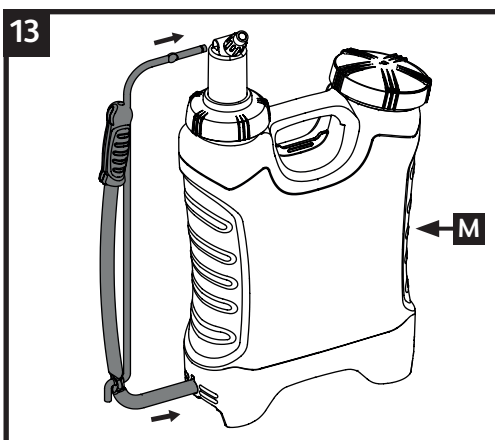
11



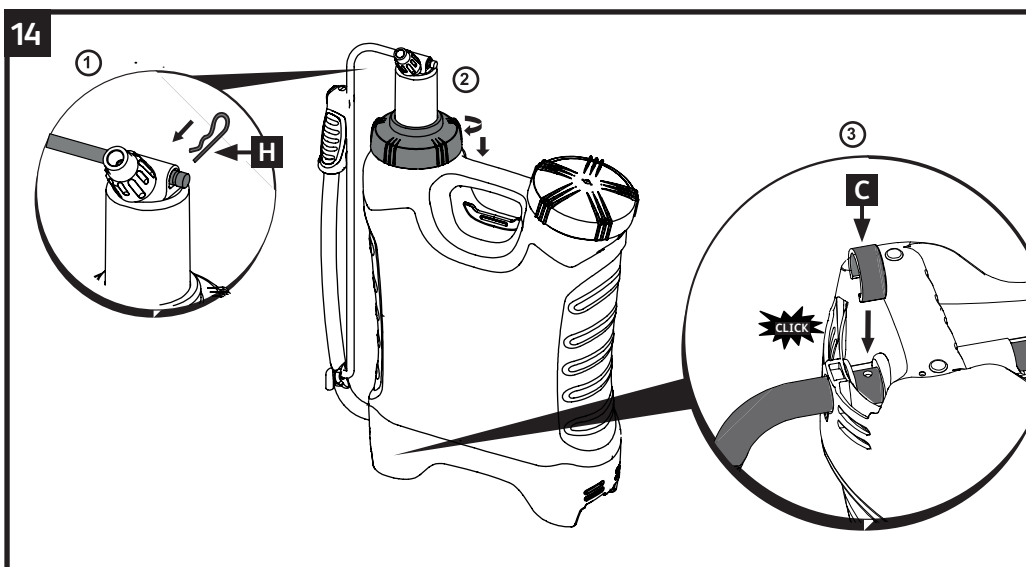
12



13

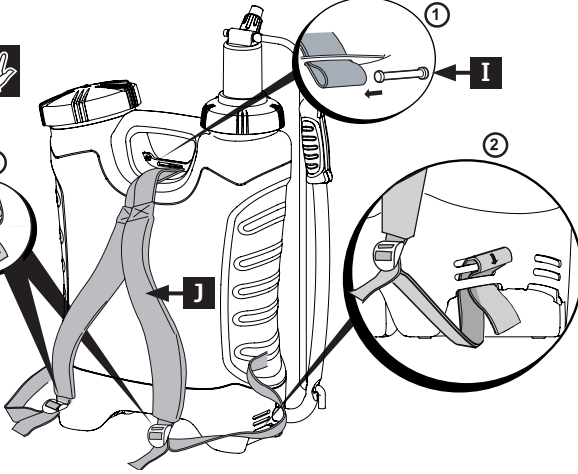


14

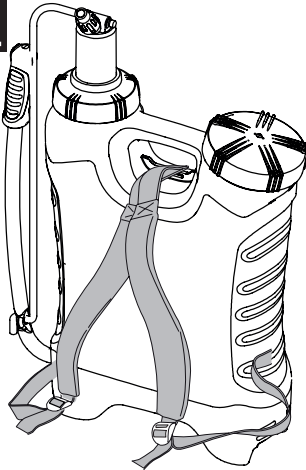


15

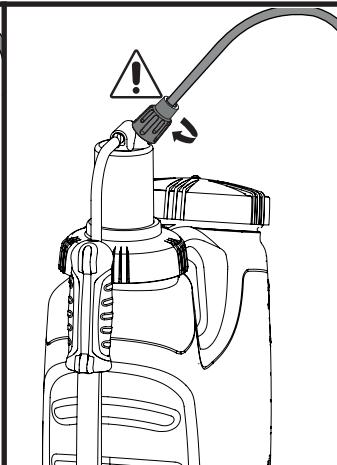
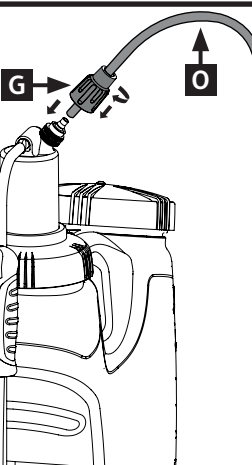
R



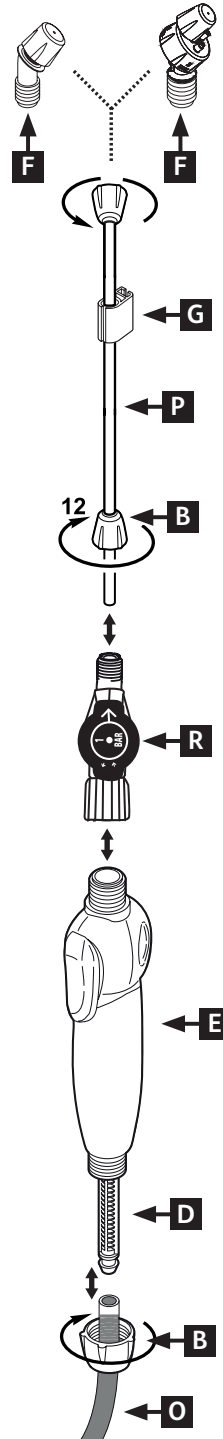
L



16

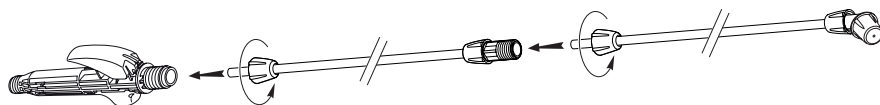
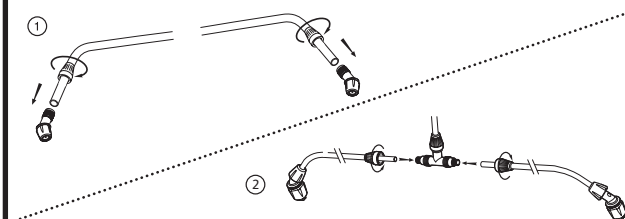
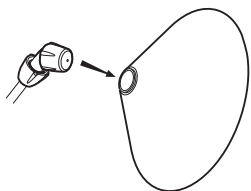


17

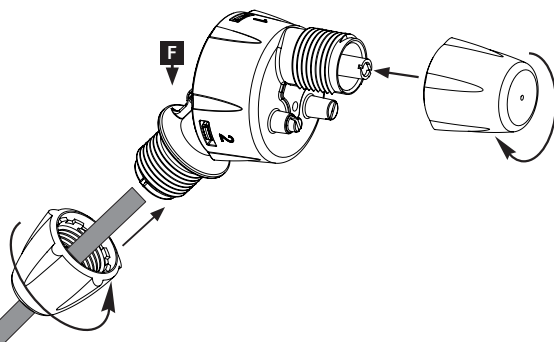


OPTIONAL EQUIPMENT (depending on the model) • EQUIPEMENT OPTIONNEL (selon modèle) • OPTIONALE AUSTRÜSTUNG (je nach Modell) • OPTIONELE UITRUSTINGEN (afhankelijk van het model) • EQUIPAMIENTOS OPCIONALES (según el modelo)  
 TILVALSUTRUSTNING (beroende på modell) • TILLEGGSUTSTYR (avhengig av modell) • VALINNAISET LISÄVARUSTEET (riippuu mallista) • EKSTRAUDSTYR (Ifølge modellen) • EQUIPAGGIAMENTI OPZIONALI (a seconda del modello)  
 EQUIPAMENTOS OPCIONAIS (segundo o modelo) • WYPOSAŻENIE OPCJONALNE (w zależności od modelu)  
 ΠΡΟΑΙΡΕΤΙΚΟΣ ΕΞΟΠΛΙΣΜΟΣ (ανάλογα με το μοντέλο) • ДОПОЛНИТЕЛЬНОЕ ОБОРУДОВАНИЕ (в зависимости от модели)  
 ECHIPAMENTE OPȚIONALE (în funcție de model)

18

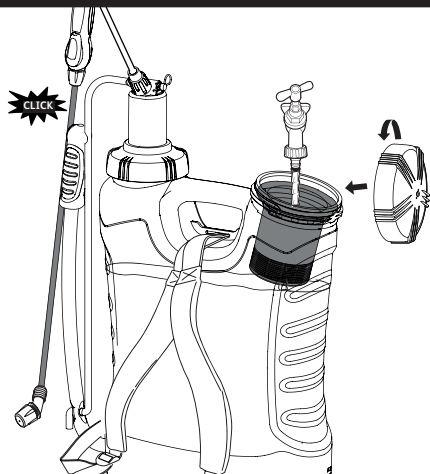


Muti-Nozzle • Buse Multi-usage • Mehrstrahldüse • Multi-straal spuitstuk • Multi-boquilla • Multi-munstycke • Flerbruksdyse • Monikäyttöinen suutin • Multi-dyse • Multi-ugello • Multi-bocal • Wiele dys • Ακροφύσιο πολλαπλών άκρων • Универсальное сопло • Duze multiple

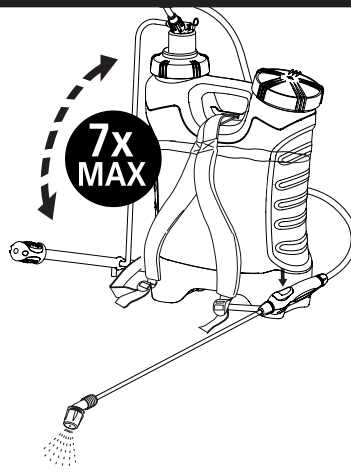


OPERATION • FONCTIONNEMENT • BETRIEB • WERKING • FUNCIONAMIENTO • FUNKTIONSSÄTT  
 BRUKSANVISNING • KÄYTTÖ • DRIFT • FUNZIONAMENTO • FUNCIONAMENTO • FUNKCJONOWANIE  
 ΛΕΙΤΟΥΡΓΙΑ • ЭКСПЛУАТАЦИЯ • FUNCȚIONARE

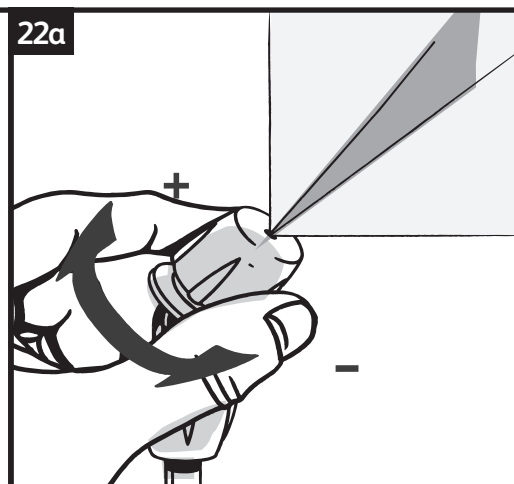
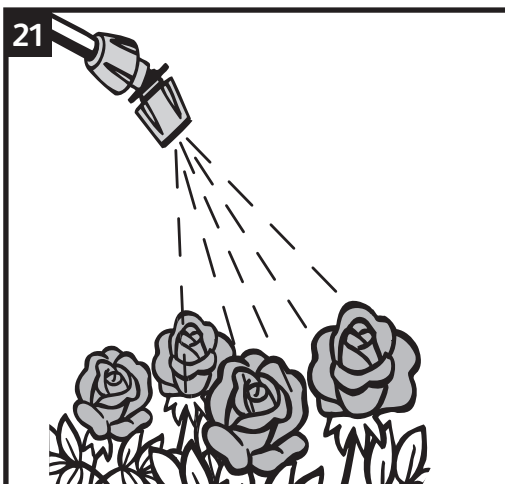
19



20

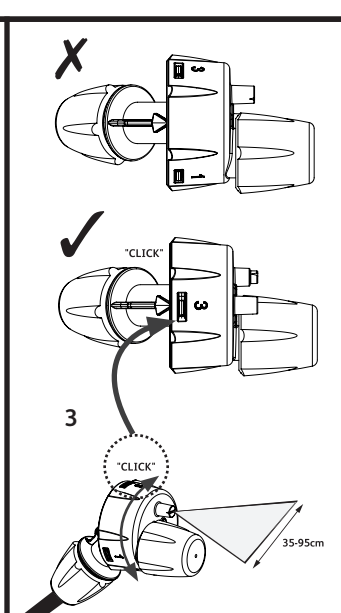
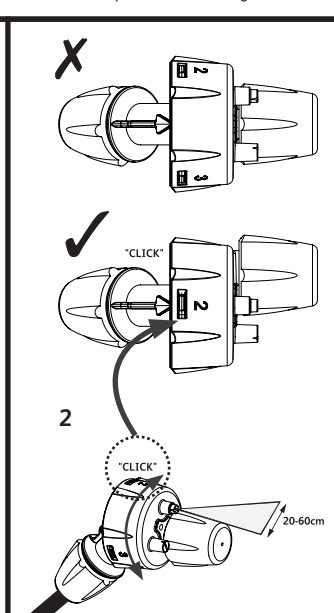
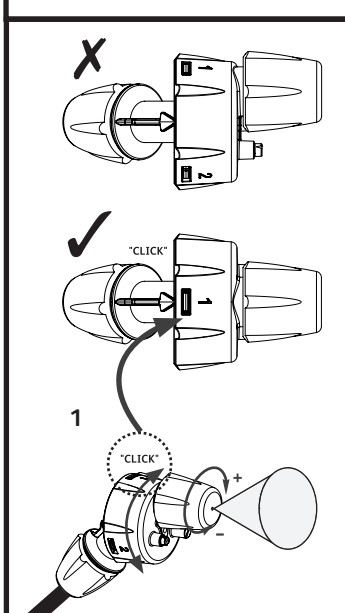




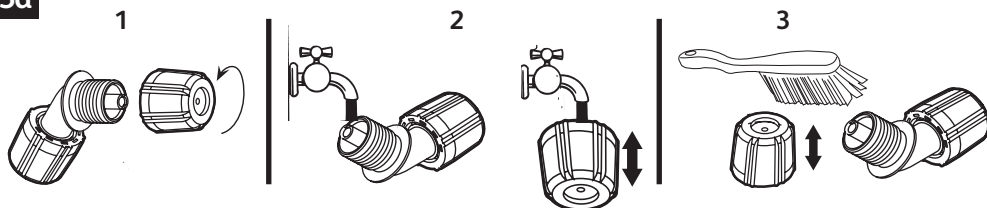


**22b**  $\Delta$  Release the trigger before rotating nozzle to different settings. Ensure the arrow is aligned with the number before spraying. Failure to do so may result in leaks •  $\Delta$  Relâchez la poignée de pulvérisation avant de tourner la buse sur les différents réglages. Assurez-vous que la flèche est bien alignée avec le nombre souhaité avant de pulvériser. Ne pas suivre ces 2 consignes peut entraîner des fuites

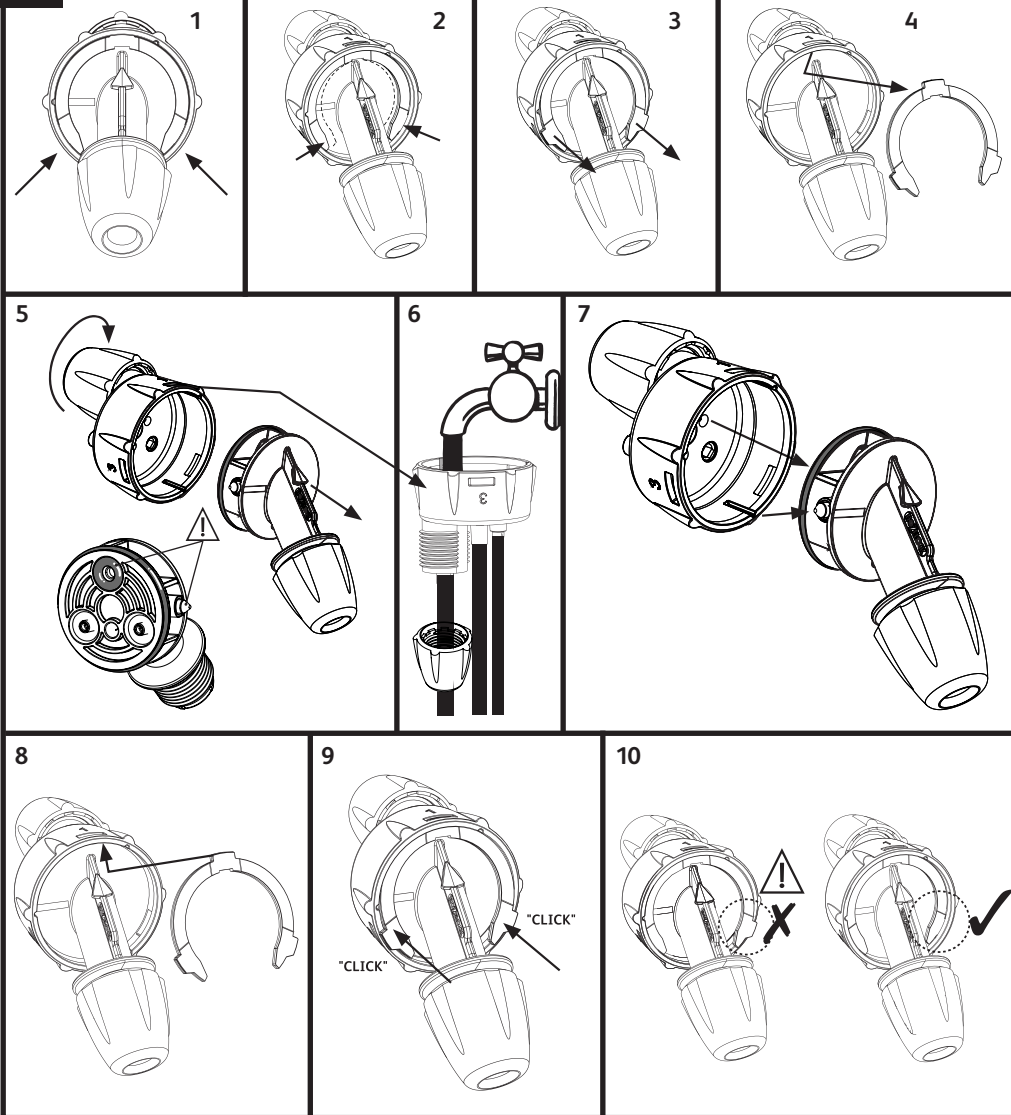
•  $\Delta$  Lassen Sie den Sprühgriff Abzug los, bevor Sie die Düse auf andere Einstellungen drehen. Stellen Sie sicher, dass der Pfeil richtig auf die gewünschte Zahl ausgerichtet ist, bevor Sie mit dem Sprühen beginnen. Andernfalls kann es zu Undichtigkeiten kommen •  $\Delta$  Los het handvat voordat u een sproeiend kiest, zorg dat de pijl recht op het geselecteerde nummer wijst, voordat u sproeit. Deze info negeren kan lekkage veroorzaken •  $\Delta$  Suelte el gatillo del pulverizador antes de girar la boquilla para ajustar su posición. Asegúrese de que la flecha esté alineada con el número deseado antes de rociar. Si no lo hace, puede haber fugas •  $\Delta$  Släppa spärren innan justering av sprutmunstycket kontrollera att pilen pekar på ett nummer, annars finns risk för läckage •  $\Delta$  Slipp avtrekkeren før du roterer dysen til forskjellige innstillinger. Forsikre deg om at pilen er på linje med tallet før sprøyting. Unnlattelse av dette kan føre til lekkasjer •  $\Delta$  Vapauta liipaisin ennen suuttimen kääntämistä eri asetuksiin. Varmista, että nuoli on linjassa numeron kanssa ennen ruiskutusta. Tämän tekemättä jättäminen voi johtaa vuotoihin •  $\Delta$  Frigør grebet før sprøjetmonstret indstilles. Sikre at pilen står ud for tallet for at undgå lækage •  $\Delta$  Rilasciare il grilletto prima di ruotare l'ugello sulle varie posizioni. Assicurarsi che la freccia sia allineata con il numero prima di spruzzare. In caso contrario, potrebbero verificarsi perdite •  $\Delta$  Solte o gatilho de pulverização antes de girar o bico para ajustar a sua posição. Certifique-se de que a seta está alinhada com o número desejado antes de pulverizar. Não o fazer pode resultar em fugas •  $\Delta$  Απελευθερώστε τη σκανδάλη πριν περιστρέψετε το ακροφύσιο σε διαφορετικές ρυθμίσεις. Βεβαιωθείτε ότι το βέλος ευθυγραμμίζεται με τον αριθμό πριν από τον ψεκασμό. Εάν δεν το κάνετε, ενδέχεται να προκληθούν διαρροές •  $\Delta$  Прежде чем вращать форсунку для смены режима опрыскивания, необходимо приостановить опрыскивание. Перед распылением убедитесь, что стрелка точно установлена на номер выбранного режима опрыскивания. Невыполнение этого требования может привести к утечкам •  $\Delta$  Eliberați declanșatorul înainte de a roti duza în diferite setări. Asigurați-vă că săgeata este aliniată cu numărul înainte de a pulveriza. Nerespectarea acestui lucru poate duce la scurgeri.

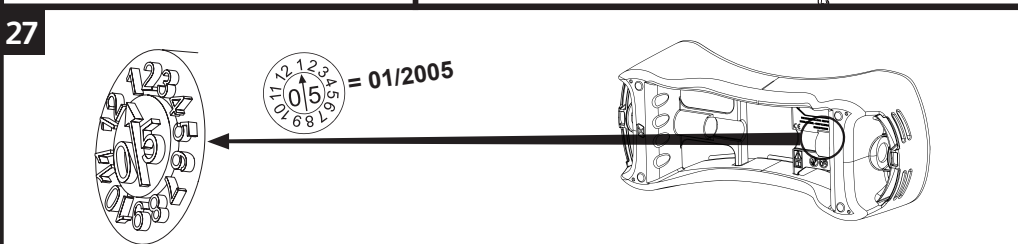
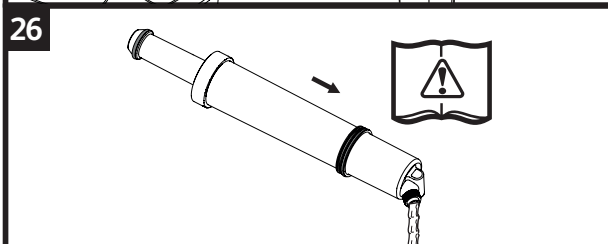
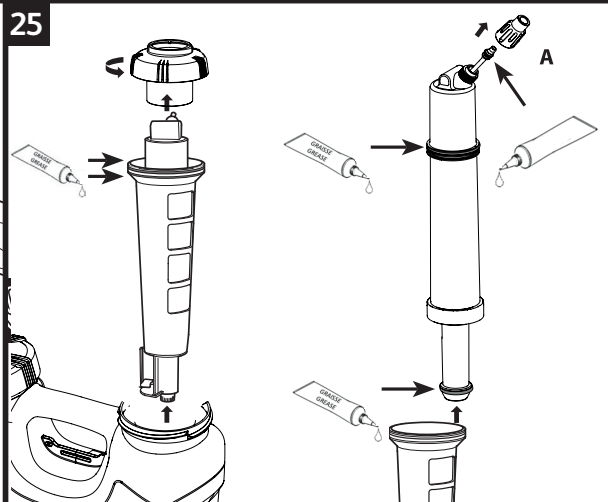
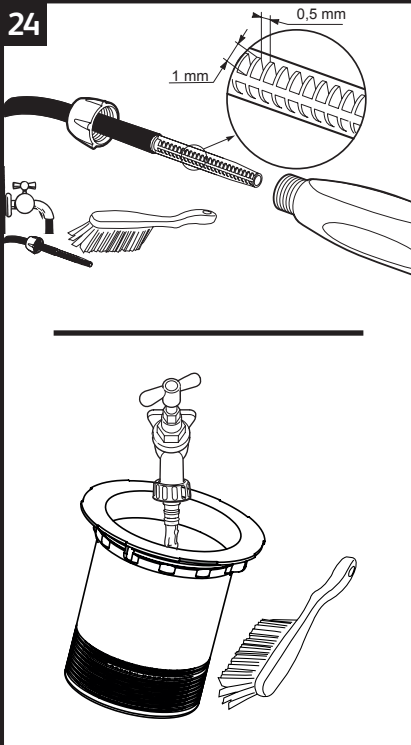


23a



23b





The original manual was written and approved in French. All other languages are translations of the original. In the event of a conflict, imprecisions or discrepancies between the French and other languages, the French version shall prevail.

## AREA OF APPLICATION

This apparatus is exclusively designed for the application of GARDEN agents (fungicides, herbicides, insecticides).

If in doubt, you **MUST CONSULT THE MANUFACTURER**.

**IMPORTANT:** This apparatus must not contain or be used to spray chlorine, solvents or acetone-based or acid-based products. Nor should it be used for the application of bleach, cleaning products, disinfectants or vinegar.

## INSTRUCTIONS

See **Fig. 11 to 17**.

Depending on the model, assemble optional equipment (**Fig. 18**).

## SAFETY RULES

- The sprayer must be used in accordance with local / national regulations.
- A sprayer is a pressure apparatus where there is always the risk of explosion with a projection of liquid if the instructions are not followed. If you have any doubts concerning its use, contact the manufacturer.
- This apparatus is equipped with a switch on the handle, which enables the hose supply to be stopped as soon as the switch is no longer held down, to avoid any contamination of the operator and the environment in the event of an emergency.
- Never remove a part of the sprayer without having previously released the pressure.
- In the event of a breakdown, never carry out any repairs in the field. Depressurise the apparatus and work in a suitable location to avoid any contamination.
- Check that the apparatus operates correctly by checking that there are no leaks when there are several litres of water in the tank.
- The apparatus must not be used and stored in temperatures under 5°C or over 40°C (**Fig. 2 and 3**).
- The solution to be sprayed must not exceed 25°C (**Fig. 4**).
- Do not use explosive, acidic, and/or corrosive products in the sprayer (**Fig. 5 and 6**).

- Do not spray in the direction of flames or other heat sources.

- Only use in calm weather, ideally without wind, otherwise direct the spraying jet in the direction of the wind to avoid contaminating the operator.

- To avoid any drift, spray as close as possible to the zone to be treated, with no wind.

- Help protect the environment; only spray the surfaces to be treated.

- Wear protective clothing; protective gloves, protective goggles and a protective mask when handling the sprayer: filling, spraying, cleaning, product change, maintenance (**Fig. 7**).

- Keep other people and pets at a reasonable distance from the apparatus when spraying (**Fig. 8**).

- Do not smoke, eat or drink during use.

- This apparatus must not be used by individuals suffering from fatigue or illness, or by any person under the influence of alcohol, drugs or other medication.

- This sprayer must not be connected to any other equipment for safety reasons. It must only be used with HOZELOCK original parts or accessories. All of the sprayer's parts are specifically developed to ensure the correct operation and safety of the apparatus and the user.

## OPERATION

- Follow the manufacturer's instructions for the treatment agents (dosage, application method, rinsing).

- Only prepare the quantity of agent that is strictly necessary and for one application.

- Dosing is easy due to the graduation scale on the reservoir. The transparent tank allows full visibility of the liquid level.

- Preparation of the solution to be sprayed:

- a) Powder product (soluble or wettable): prepare the solution in a bucket before decanting it into the reservoir through the filling hole.

- b) Liquid-based product (to be diluted in water): fill the tank with 1 to 2 litres of water, pour in the dose of liquid product, then fill up with the required quantity of water (**Fig. 19**).

### During use

- Manually screw the filling cap on the reservoir (**Fig. 19**).

- Pump 7 times maximum, to pressurize the sprayer (**Fig. 20**).

- Spray by pressing the handle switch (**Fig. 21**).

- Adjust the jet by turning the nozzle in both directions (**Fig. 22**, depending on the model. **22.b** Release the trigger before rotating nozzle to different settings. Ensure the arrow is aligned with the number before spraying. Failure to do so may result in leaks).

- Pump from time to time by activating the lever to maintain the pressure during spraying.
- Depending on the model: The regulator provides a constant spraying pressure.

Therefore:

Spraying takes place at the pressure indicated on the regulator, even if the sprayer is set to a higher pressure than this. Spraying stops when the sprayer pressure falls below the pressure indicated on the regulator. Pump again to pressurise the apparatus.

- A range of accessories are available to ensure treatments suitable for different uses (weed control booms, telescopic lance, weed control cover, etc.) (Fig. 18).

See the website [www.hozelock.com](http://www.hozelock.com)

### After use/ Cleaning

After each use:

- Avoid risks of pollution by recovering any unused product and its packaging.
- Wash your hands and face with clean water after using the sprayer.
- Never store the sprayer pressurised.
- Never store the treatment agent inside the sprayer.
- Store the sprayer in a closed location out of the reach of children.

- Clean the handle filter, the filling filter and the nozzle in fresh water after clearing any pressure that may remain in the apparatus by spraying without activating the pumping lever (Fig. 23 - 24)

- If you spray until there is air in the jet: spray until there is no more pressure. The residual volume of liquid is less than 250 ml.

- Before storing and before any other use with another treatment agent, perform a rinsing operation, i.e. put 1 litre of water into the reservoir for dilution, mix thoroughly and operate the apparatus to rinse all of the apparatus' components.

This rinsing operation must be carried out without removing any of the accessories used during the treatment. The rinsing mixture must not be emptied into a sewer but must be sprayed outside on the land that has already been treated.

- Repeat the operation several times before the winter period.

- Rinsing for models equipped with 1 bar pressure regulator: add 1 litre of water to the sprayer, pressurise and spray into a suitable container until all the liquid has been evacuated and air comes out of the nozzle.

Remove the regulator, install the lance on the handle and activate the trigger to fully depressurise the sprayer. Caution, if you want to remove the regulator while there is still product in the sprayer, wear gloves and do not activate the trigger on the handle.

When treatment is complete, re-install the regulator and carry out the rinsing operation as indicated above.

- If there is still some unused treatment product left, eliminate any pressure remaining in the apparatus by spraying without activating the pumping lever. Recover any possible excess of product and rinse the sprayer again as indicated above.

- Before using again, even if it is used again immediately, with the same treatment product or a different one, repeat the rinsing operation 3 consecutive times and check that the sprayer works properly.

## MAINTENANCE / SERVICING

Periodically, on re-use after the winter period and several times per season, grease all the joints (with silicone grease for sprayers) and check that the sprayer is working properly.

- Clean the nozzle and the nozzle holder (Fig. 23)
- Clean the lance filter and filling filter (Fig. 24)
- Disassemble the pump.
- Grease or replace the valve and the seals (Fig. 25)
- The sprayer is equipped with a reservoir which is resistant to UV radiation.

## PROBLEMS / SOLUTIONS

Problems	Solutions
Little or no spraying	Make sure that all the connectors are fully tightened.
	Make sure that all the seals are lubricated and clean and are not damaged or worn. Replace them if necessary (contact the customer service department).
	Clean the nozzle and the filters.
The spraying is not straight	Clean the nozzle.
Leaks	Make sure that all the connectors are fully tightened.
	Make sure that all the seals are lubricated and clean and are not damaged or worn. Replace them if necessary (contact the customer service department).
After some time, the lever becomes impossible to actuate	Check that the hose is properly assembled on the tubing. Check that the tubing gasket is lubricated and shows no sign of damage (Fig. 25.A). Remove the tubing from the pump (Fig.25), empty it of water (Fig.26) and reassemble the tubing.

## WARRANTY

### Extended contractual warranty

We guarantee our products for 3 years. In the event of failure to present proof of the product date of purchase, the warranty is effective from the product date of manufacture (stated underneath the product) (Fig. 27).

The contractual warranty does not apply in the following cases:

- Normal wear parts: seals, valves, handle, nozzle, piping, carrying straps, rod and lever,
- The products that are used in violation of the technical recommendations,
- Products used improperly,
- Products not undergoing regular maintenance,
- Damage to products (impacts, drops, crushing, etc.) caused due to negligence, improper maintenance, improper or abnormal use of the product,
- The replacement of a component after losing a component of the sprayer.

### Warranty activation

Contact your retailer to apply your warranty.

Please keep your proof of purchase (invoice or legible till receipt), as this will be required in the event of a claim under the Contractual Warranty.

A product under warranty that has been repaired or replaced, remains guaranteed for the remaining duration and under the original terms of the Contractual Warranty granted at the time of purchase.

All returned products become the property of HOZELOCK when replaced by a new product.

### + SPECIFIC CASES

#### Australia:

Our goods come with guarantees that cannot be excluded under the Australia Consumer Law. You are entitled to a replacement or refund for a major failure and for compensation for any other reasonably foreseeable loss or damage.

You are also entitled to have the goods repaired or replaced if the goods fail to be of acceptable quality and the failure does not amount to a major failure.

Hozelock Australia Pty Ltd  
(ABN 83 154 891 648).

Unit 42 / 74 Indian Drive,  
Keysborough Victoria 3173

Phone: 1300 275175

Email: australiamail@hozelock.com

#### New Zealand:

The manufacturer's warranty is in addition to the rights and remedies provided by the New Zealand Consumer Guarantees Act Distributed in New Zealand by:

Horticom (Company No. 463657)

651 Rosebank Road, Avondale, Auckland 1026

Phone: 09 828 4408

Email: service@horticom.co.nz

#### General Terms and Conditions:

Hozelock provides a manufacturer's warranty to the initial purchaser for each new product produced by Hozelock that is sold by an authorised Hozelock supplier in Australia. This warranty provides such initial purchaser with a guarantee against faulty workmanship in manufacture and/or defective components for the warranty period from the date of purchase.

The benefits given by this manufacturer's warranty are in addition to other rights and remedies of the consumer under a law in relation to the goods to which this warranty relates.

#### Making a Claim:

If any product supplied by Hozelock is found to be defective due to faulty manufacture and/or defective components within the warranty period, Hozelock will repair or replace the product to the customer providing:

- proof of purchase is provided to Hozelock or its authorised supplier of the relevant goods
- the fault is not caused by misuse, neglect, adjustments and/or modification by the consumer
- the consumer presents the defective product at the premises of the authorised supplier of that relevant Hozelock product
- failure has not occurred through normal wear and tear

The product will be repaired or replaced at Hozelock's cost, however, any costs incurred to obtain warranty consideration or service is the consumer's responsibility, including shipping and handling, travel expense, lost time, or pick up and delivery.

## EU DECLARATION OF CONFORMITY

In accordance with BS EN ISO/IEC 17050-1:2004 HOZELOCK declare that the following Hozelock Pressure Sprayers:

PULSAR PLUS COMFORT (ref. 4712 / 4716 / 4416)  
Complies with the Essential Health and Safety Requirements of the following Directives:

Machinery Directive 2006/42/EC and its amending directives including 2009/127/EC and conforms to the following standards: ISO/FDIS 19932-1:2019(E) and ISO/FDIS 19932-2:2019(E)

## F NOTICE D'UTILISATION

Cette notice a été écrite et approuvée en français. Toutes les autres langues sont des traductions de l'original. En cas de conflit, doutes ou imprécisions entre le français et les autres langues, c'est le français qui prévaut.



## DOMAINE D'APPLICATION

Cet appareil est exclusivement conçu pour l'application des produits de JARDIN (fongicides, herbicides, insecticides).

En cas de doute, il est IMPERATIF de consulter le CONSTRUCTEUR.

**ATTENTION :** Cet appareil ne doit pas contenir ou pulvériser les produits chlorés, solvantés, les produits à base acétone et base acide, l'eau de javel, les produits lessiviels, désinfectants et de vignaire.

## MONTAGE

Voir figures **11 à 17** pour le montage de l'appareil.

Selon le modèle, monter les équipements supplémentaires (**Fig. 18**).

## RÈGLES DE SÉCURITÉ

- Le pulvérisateur est à utiliser conformément aux réglementations locales / nationales. La notice d'utilisation fait office de formation.
- Un pulvérisateur est un appareil sous pression qui peut présenter des risques d'explosion, avec projection de liquide, si les consignes inscrites dans cette notice ne sont pas respectées. En cas de doute, consulter le constructeur.
- Cet appareil est équipé d'un interrupteur sur la poignée, qui permet de couper l'alimentation de lance dès que l'interrupteur n'est plus maintenu, afin d'éviter toute contamination de l'opérateur et de l'environnement en cas d'urgence.
- Ne jamais démonter un élément du pulvérisateur sans avoir préalablement ôté la pression.
- En cas de panne, ne pas effectuer de dépannage en plein champ. Dépressuriser l'appareil et intervenir dans un endroit adapté pour éviter toute contamination.
- S'assurer du bon fonctionnement de l'appareil en vérifiant les étanchéités avec quelques litres d'eau dans le réservoir.
- L'appareil ne doit pas être utilisé et stocké à des températures inférieures à 5°C et supérieures à 40°C (**Fig. 2 et 3**).
- La solution à pulvériser ne doit pas excéder 25°C (**Fig. 4**).

- Ne pas utiliser de produits explosifs, acides et/ou corrosifs dans le pulvérisateur (**Fig. 5 et 6**).

- Ne pas pulvériser en direction de flammes ou de source de chaleur.

- Ne traiter que par temps calme idéalement (sans vent) et sinon en dirigeant le jet de pulvérisation dans le sens du vent pour éviter de contaminer l'opérateur.

- Pour éviter la dérive, pulvériser le plus près possible de la zone à traiter et sans vent.

- Préserver l'environnement, ne pulvériser que les surfaces à traiter.

- Porter des vêtements de protection, des gants de protection, des lunettes de protection et un masque de protection pour toute manipulation du pulvérisateur : remplissage, pulvérisation, nettoyage, changement de produit, entretien (**Fig. 7**).

- Maintenir les tierces personnes et animaux domestiques à distance raisonnable pendant la pulvérisation (**Fig. 8**).

- Ne pas fumer, boire ou manger pendant l'utilisation.

- Cet appareil ne doit pas être utilisé en cas de fatigue, maladie, sous l'emprise de l'alcool, drogue ou autre médicament.

- Ce pulvérisateur ne doit pas être raccordé à un autre équipement pour des raisons de sécurité. Il ne doit être utilisé qu'avec les pièces d'origine ou les accessoires HOZELOCK.

Toutes les pièces du pulvérisateur participent au bon fonctionnement et à la sécurité de l'appareil et de l'utilisateur.

## FONCTIONNEMENT

- Respecter les instructions du fabricant de produits de traitement (dosage, mode d'application, rinçage).

- Ne préparer que la quantité de produit strictement nécessaire, et pour une seule application.

- Le dosage est aisé du fait de la graduation apparente sur le réservoir. Niveau de liquide dans la cuve visible par transparence.

- Préparation de la solution à pulvériser :

a) Produit en poudre (soluble ou mouillable) : préparer dans un seau avant de la transvaser dans le réservoir par l'orifice de remplissage.

b) Produit à base liquide (à diluer dans l'eau) : mettre 1 à 2 litres d'eau dans le réservoir, verser la dose de produit liquide, puis compléter en eau à la quantité désirée (**Fig. 19**).

### En utilisation

- Visser manuellement le bouchon de remplissage sur le réservoir (**Fig. 19**).

- Pomper 7 fois maximum pour la mise en pression (**Fig. 20**).

- Pulvériser en appuyant sur l'interrupteur de poignée (Fig. 21).
- Pomper de temps en temps en actionnant le levier afin de maintenir la pression durant la pulvérisation.
- Procéder au réglage du jet en tournant la buse dans les deux sens (Fig. 22, selon modèle. 22.b Relâchez la poignée de pulvérisation avant de tourner la buse sur les différents réglages. Assurez-vous que la flèche soit bien alignée avec le nombre souhaité avant de pulvériser. Ne pas suivre ces 2 consignes peut entraîner des fuites).

- Selon modèle : Le régulateur assure une pression constante de pulvérisation. Ainsi, la pulvérisation s'effectue à la pression indiquée sur le régulateur, même si le pulvérisateur est à une pression supérieure à celle-ci. La pulvérisation s'arrête dès lors que la pression du pulvérisateur est inférieure à celle indiquée sur le régulateur. Pomper à nouveau pour mettre l'appareil en pression.

- Une gamme d'accessoires est disponible pour assurer un traitement adapté aux différentes utilisations (rampe de désherbage, lance télescopique, cache de désherbage...) (Fig. 18). Voir le site internet [www.hozelock.com](http://www.hozelock.com)

### Après utilisation / Nettoyage

Après chaque utilisation :

- Eviter les risques de pollution en récupérant le produit non utilisé ainsi que son emballage.
- Se laver les mains et le visage à l'eau claire, après utilisation du pulvérisateur.
- Ne jamais ranger le pulvérisateur en pression
- Pour dépressuriser l'appareil, pulvériser jusqu'à l'apparition d'air dans le jet afin qu'il n'y ait plus de pression. Le volume résiduel de liquide est inférieur à 250 ml.
- Ne jamais conserver du produit de traitement à l'intérieur du pulvérisateur.
- Ranger le pulvérisateur dans un endroit fermé, hors de la portée des enfants.
- Nettoyer le filtre de poignée, le filtre de remplissage et la buse à l'eau claire après avoir éliminé la pression pouvant subsister dans l'appareil en pulvérisant sans actionner le levier de pompage. (Fig. 23-24)
- Avant rangement et avant toute autre utilisation avec un autre produit de traitement, effectuer une opération de rinçage, c'est à dire ajouter 1 litre d'eau pour diluer dans le réservoir, bien mélanger et faire fonctionner pour rincer l'ensemble des composants de l'appareil. Cette opération de rinçage doit s'effectuer sans démonter les accessoires utilisés lors du traitement. Ce mélange de rinçage ne doit en aucun cas être jeté dans les égouts, mais être pulvérisé à l'extérieur sur le terrain déjà traité.

- Rinçage avec pulvérisateur équipé d'un régulateur de pression : Ajouter un litre d'eau dans le pulvérisateur et faire fonctionner jusqu'à l'apparition d'air dans le jet. Démontez le régulateur, remontez la lance sur la poignée, et actionnez la gâchette de manière à dépressuriser entièrement le pulvérisateur. Attention, si vous souhaitez démonter le régulateur alors qu'il reste du produit dans le pulvérisateur, portez des gants et ne pas actionner la gâchette de la poignée. A la fin du traitement, remontez le régulateur afin de procéder à l'opération de rinçage comme indiqué ci-dessus.

- Répéter l'opération plusieurs fois avant hivernage.

- S'il vous reste encore du produit de traitement non utilisé, éliminez la pression pouvant subsister dans l'appareil en pulvérisant sans actionner le levier de pompage. Récupérer l'éventuel excédent de produit et rincer à nouveau le pulvérisateur comme indiqué ci-dessus.

- Avant toute nouvelle utilisation, même immédiate, avec le même produit de traitement ou un produit de traitement différent, répéter 3 fois de suite l'opération de rinçage et vérifier le bon fonctionnement du pulvérisateur.

## MAINTENANCE / ENTRETIEN

Périodiquement, au redémarrage après hivernage et plusieurs fois par saison, graisser tous les joints (avec une graisse silicone pour pulvérisateur), et vérifier le bon fonctionnement du pulvérisateur.

- Nettoyer la buse et le porte buse (fig. 23)
- Nettoyer le filtre de lance et le tamis de remplissage (fig. 24)
- Démontez la pompe (fig. 25)
- Graisser ou remplacer le clapet et les joints (fig.25)
- Le pulvérisateur est équipé d'un réservoir résistant au rayonnement UV.

## PROBLEMES / SOLUTIONS

Problèmes	Solutions
Faible ou pas de pulvérisation	S'assurer que tous les raccords sont bien serrés.
	S'assurer que tous les joints sont lubrifiés et propres, et ne sont pas endommagés ou usés. Les remplacer si nécessaire (contacter service consommateur).
	Nettoyer la buse et les filtres.
La pulvérisation n'est pas droite	Nettoyer la buse.



Problèmes	Solutions
Fuites	S'assurer que tous les raccords sont bien serrés.
	S'assurer que tous les joints sont lubrifiés et propres, et ne sont pas endommagés ou usés. Les remplacer si nécessaire (contacter service consommateur).
Après quelques temps, le levier devient impossible à actionner	S'assurer que le tuyau est bien monté sur la tubulure. S'assurer que le joint de la tubulure est graissé et n'est pas endommagé (Fig.25.A) Démonter la tubulure de la pompe (Fig. 25), la vider de son eau (Fig.26) et remonter la tubulure.

## GARANTIE

### Extension de la garantie contractuelle

Nous garantissons nos produits pendant une durée de 3 ans. À défaut de preuve de la date d'achat des produits, la garantie court à compter de la date de fabrication du produit (reprise sous le produit) (Fig. 27).

La garantie contractuelle ne s'applique pas dans les cas suivants :

- Les pièces d'usure normale : joints, clapets, poignée, buse, tuyauterie, sangles de portage, bielle et levier,
- Les produits dont il est fait usage en infraction avec les recommandations techniques
- Les produits dont il est fait un usage abusif,
- Les produits n'ayant pas fait l'objet d'un entretien régulier,
- Les dégradations du produit (chocs, chutes, écrasement, etc...) provenant de négligence, de défaut d'entretien, d'utilisation défectueuse ou anormale du produit,
- Le remplacement d'un composant, suite à une perte de composant du pulvérisateur.

### Fonctionnement de la garantie

Contactez votre revendeur pour faire valoir votre garantie.

Nous vous demandons de conserver votre preuve d'achat (facture ou ticket de caisse lisible), qui vous sera demandé en cas de mise en œuvre de la garantie contractuelle.

Un produit sous garantie qui a été réparé ou remplacé, reste garanti pour la durée restante et aux conditions initiales de la garantie contractuelle octroyée lors de l'achat.

Tout produit retourné devient propriété d'HOZELOCK quand il est remplacé par un produit neuf.

## DECLARATION CONFORMITE EU

En accord avec BS EN ISO/IEC 17050-1:2004 HOZELOCK déclare que le pulvérisateur Hozelock suivant : PULSAR PLUS COMFORT (4712 / 4716 / 4416) est conforme aux exigences essentielles de santé et sécurité des Directives suivantes : Directive Machine 2006/42/EC et ses directives modificatives, y compris la 2009/127/EC et conforme aux standards suivants : ISO/FDIS 19932-1 :2019 (E) et ISO/FDIS 19932-2 :2019 (E)

## D BEDIENUNGSANLEITUNG

Die Original-Betriebsanleitung wurde auf Französisch geschrieben und genehmigt. Alle anderen Sprachen sind Übersetzungen des Originals. Im Falle einer Streitigkeit, von Ungenauigkeiten oder Unterschieden zwischen dem Französischen und anderen Sprachen ist die französische Version maßgeblich.



## ANWENDUNGSBEREICH

Dieses Gerät ist ausschließlich für die Anwendung von Mitteln für den GARTEN (Fungizide, Herbizide, Insektizide) konzipiert.

Im Zweifelsfall muss mit dem Hersteller Rücksprache genommen werden.

**ACHTUNG:** Dieses Gerät darf nicht zum Füllen oder Sprühen von chlor- und lösungsmittelhaltigen Produkten, Produkten auf Aceton- und Säurebasis, Chlorbleiche, Waschmitteln oder Desinfektionsmitteln eingesetzt werden.

## MONTAGE

Siehe Abbildungen **11 bis 17**.

Montieren Sie je nach Modell die wahlweise Ausstattung (**Abb. 18**).

## SICHERHEITSVORSCHRIFTEN

Das Sprühgerät muss gemäß den lokalen / nationalen Vorschriften verwendet werden. Die Bedienungsanleitung dient als Schulung.

- Ein Sprühgerät ist ein Gerät, das unter Druck steht. Im Falle der Nichtbeachtung der in dieser Anleitung enthaltenen Vorschriften besteht die Gefahr einer Explosion, bei der Flüssigkeit herausgeschleudert werden kann. Im Zweifelsfall mit dem Hersteller Rücksprache nehmen.

- Dieses Gerät ist am Griff mit einem Schalter ausgestattet, der es erlaubt, die Speisung des Spritzrohrs abzuschalten, sobald der Schalter nicht mehr betätigt wird, damit jede Verschmutzung des Bedieners und der Umwelt im Notfall verhindert wird.

- Komponenten des Sprühgeräts nur ausbauen, wenn das Gerät nicht mehr unter Druck steht.
- Im Fall einer Störung darf die Störungsbehebung nicht im Freien durchgeführt werden. Den Druck im Gerät ablassen und den Eingriff an einem geeigneten Ort vornehmen, um jede Verschmutzung zu vermeiden.
- Die Funktionstüchtigkeit des Geräts sicherstellen, indem der Behälter mit einigen Litern Wasser gefüllt und auf diese Weise die Dichtheit geprüft wird.
- Das Gerät darf nicht bei Temperaturen unter 5°C und über 40°C eingesetzt werden (**Abb. 2 und 3**).
- Die zu sprühende Lösung darf eine Temperatur von 25°C nicht überschreiten (**Abb. 4**).
- Keine explosiven, säurehaltigen und/oder korrodierenden Produkte im Sprühgerät verwenden (**Abb. 5 und 6**).
- Nicht auf Flammen oder Wärmequellen sprühen.
- Die Behandlung nur bei ruhigem Wetter (Windstille) durchführen, ansonsten muss der Sprühstrahl in Windrichtung gerichtet werden, damit der Bediener nicht besprüht wird.
- Um eine Abdrift zu vermeiden, muss so nah wie möglich an der zu behandelnden Stelle bei Windstille gesprüht werden.
- Die Umwelt schützen - nur die zu behandelnden Flächen sprühen.
- Beim Umgang mit dem Sprühgerät (Befüllen, Sprühen, Reinigen, Produkt wechseln, Wartung) sind Schutzkleidung, Handschuhe, Schutzbrille und Schutzmaske zu tragen (**Abb. 7**).
- In angemessenem Abstand zu weiteren Personen und Haustieren sprühen (**Abb. 8**).
- Beim Gebrauch nicht rauchen, trinken oder essen.
- Dieses Gerät darf nicht bei Müdigkeit, Krankheit oder unter Alkohol-, Drogen- bzw. Medikamenteneinfluss eingesetzt werden.
- Aus Sicherheitsgründen darf dieses Sprühgerät nicht an ein anderes Gerät angeschlossen werden. Es darf nur mit Originalteilen oder Zubehör von HOZELOCK verwendet werden. Alle Teile des Sprühgerätes tragen zum einwandfreien Betrieb und zur Sicherheit des Gerätes und des Benutzers bei.

## BETRIEB

- Die Herstellervorschriften der Behandlungsprodukte beachten (Dosierung, Anwendungsweise, Spülvorgang).
- Nur die absolut notwendige Menge des Produkts für eine einzige Anwendung ansetzen.
- Diese Dosierung wird durch die auf dem Behälter sichtbare Skalierung erleichtert. Flüssigkeitsstand im Tank sichtbar aufgrund der Transparenz.

- Ansetzen der Sprühlösung:
  - a) Pulverprodukt (löslich oder benetzbar): Die Lösung in einem Eimer ansetzen, bevor sie über die Einfüllöffnung in den Behälter gefüllt wird.
  - b) Flüssigprodukt (zum Auflösen in Wasser): Den Behälter mit 1 bis 2 Litern Wasser füllen, die Dosis des Flüssigproduktes hinzugeben und mit der gewünschten Menge Wasser auffüllen (**Abb.19**).

### Anwendung

- Den Füllstopfen oder die Pumpe manuell auf dem Behälter aufschrauben (**Abb. 19**).
- Je nach Modell 7 Mal mit geschlossenem Spritzrohr pumpen, um Druck aufzubauen (**Abb. 20**).
- Sprühen Sie durch Betätigen des Griffschalters (**Abb. 21**).
- Von Zeit zu Zeit pumpen durch Betätigen des Hebels, um den Druck während des Sprühvorgangs aufrecht zu erhalten.
- Den Strahl durch Drehen der Düse in beide Richtungen einstellen (**Abb. 22**, je nach Modell. **22.b** Lassen Sie den Sprühgriff Abzug los, bevor Sie die Düse auf andere Einstellungen drehen. Stellen Sie sicher, dass der Pfeil richtig auf die gewünschte Zahl ausgerichtet ist, bevor Sie mit dem Sprühen beginnen. Andernfalls kann es zu Undichtigkeiten kommen).
- WAHLWEISE AUSSTATTUNG (abhängig vom Modell): Der 1-bar-Druckregler liefert einen konstanten Sprühdruck. Deshalb erfolgt das Sprühen bei konstantem Druck, auch wenn der Sprüher auf einen höheren Druck als diesen eingestellt ist. Das Sprühen hört auf, wenn der Sprüherdruck unter den Solldruck fällt. (Vorsicht: Es herrscht noch Restdruck im Behälter.) Erneut pumpen, um das Gerät unter Druck zu setzen.
- Eine Reihe von Zubehörteilen ist erhältlich, um eine an die verschiedenen Anwendungen angepasste Behandlung zu gewährleisten (Jättrampe, ausziehbares Spritzrohr, Jätgeräteabdeckung...) (**Abb. 18**). Siehe Website [www.hozelock.com](http://www.hozelock.com)

### Nach dem Gebrauch / Reinigung

- Nach jedem Gebrauch:
  - Durch Sammeln der Restprodukte und deren Verpackungen mögliche Verschmutzungen vermeiden.
  - Nach der Verwendung des Sprühgeräts Hände und Gesicht mit klarem Wasser waschen.
  - Das Sprühgerät nicht wegräumen, so lange es unter Druck steht.
  - Falls während des Sprühvorgangs Luft aus dem Strahl tritt, so lange sprühen, bis kein Druck mehr vorhanden ist. Die restliche Flüssigkeitsmenge ist geringer als 250 ml.
  - Kein Behandlungsprodukt im Sprühgerät übrig lassen.

- Das Sprühgerät an einem geschlossenen Ort und außerhalb der Reichweite von Kindern aufbewahren.

- Grifffilter, Einfüllfilter und Düse nach dem Ablassen von möglichem Restdruck im Gerät durch Sprühen ohne Betätigung des Pumphebels mit klarem Wasser reinigen. (Abb. 23-24)

- Vor dem Aufbewahren und vor der Verwendung eines anderen Behandlungsprodukts Gerät spülen, d.h. zum Verdünnen 1 Liter Wasser in den Behälter füllen, gut mischen und in Betrieb nehmen, um sämtliche Komponenten des Geräts zu spülen. Dieser Vorgang muss durchgeführt werden, ohne das bei der Behandlung verwendete Zubehör vorher abzumontieren. Diese Spülmischung darf auf keinen Fall in die Kanalisation geschüttet werden, sondern muss im Freien auf dem bereits behandelten Gelände versprüht werden.

- Spülen bei einem Sprüher mit montiertem Druckregler: Füllen Sie 1 Liter Wasser in den Sprüher, setzen Sie ihn unter Druck und sprühen Sie in einen geeigneten Behälter, bis die gesamte Flüssigkeit entleert ist und Luft aus der Düse kommt. Montieren Sie den Regler ab, befestigen Sie das Spritzrohr am Griff und betätigen Sie den Abzug, bis der Druck vollständig aus dem Sprühgerät entwichen ist.

Achtung, wenn Sie den Regler abmontieren wollen, solange sich noch von dem Produkt im Sprühgerät befindet, tragen Sie Schutzhandschuhe und betätigen Sie nicht den Abzug am Griff. Montieren Sie den Regler nach der Behandlung wieder an, um mit dem Spülvorgang wie oben beschrieben zu beginnen.

- Falls noch ungenutztes Behandlungsprodukt im Sprühgerät übrig ist, den eventuellen Restdruck im Gerät durch Sprühen ohne Betätigung des Pumphebels beseitigen. Mögliche Reste des Produkts sammeln und das Sprühgerät, wie oben beschrieben erneut ausspülen.

- Vor dem Überwintern Vorgang mehrmals wiederholen.

- Spülvorgang vor jedem, selbst unmittelbaren, erneuten Einsatz des Geräts unter Verwendung einer anderen Sprühlösung 3 Mal nacheinander durchführen.

- Vor einem selbst unmittelbaren erneuten Einsatz des Geräts unter Verwendung des gleichen oder eines anderen Produkts die Funktionstüchtigkeit des Geräts prüfen.

## WARTUNG / PFLEGE

Sämtliche Dichtungen regelmäßig, nach dem Überwintern sowie mehrmals pro Saison, fetten (mit Silikonfett für Sprühgeräte) und die Funktionstüchtigkeit des Sprühgeräts prüfen.

- Düse und Düsenhalter reinigen (Abb. 23)

- Den Spritzrohr-Filter reinigen (Abb. 24)

- Pumpe abmontieren (Abb. 25)

- Ventil und Dichtungen schmieren oder austauschen (Abb. 25)

- Das Sprühgerät ist mit einem UV-beständigen Behälter ausgestattet.

## PROBLEME / LÖSUNGEN

Probleme	Lösungen
Schwacher oder nicht vorhandener Sprühstrahl	Sicherstellen, dass sämtliche Anschlüsse fest angezogen sind.
	Sicherstellen, dass sämtliche Dichtungen geschmiert und sauber sind und keine Schäden oder Abnutzungen aufweisen. Gegebenenfalls austauschen (Kundendienst kontaktieren).
	Düse und Filter reinigen.
Der Sprühstrahl ist nicht gerade	Düse reinigen.
Tropfen	Sicherstellen, dass sämtliche Anschlüsse fest angezogen sind.
	Sicherstellen, dass sämtliche Dichtungen geschmiert und sauber sind und keine Schäden oder Abnutzungen aufweisen. Gegebenenfalls austauschen (Kundendienst kontaktieren).
Nach einiger Zeit kann der Hebel nicht mehr betätigt werden	Sicherstellen, dass der Schlauch ordnungsgemäß am Stutzen montiert ist Sicherstellen, dass die Stutzendichtung geschmiert und nicht beschädigt ist (Abb. 25.A) Den Stutzen von der Pumpe entfernen (Abb. 25), das Wasser aus der Pumpe auslaufen lassen (Abb. 26) und den Stutzen wieder einsetzen.

## GARANTIE

### Erweiterung der Vertragsgarantie

Auf unsere Produkte geben wir 3 Jahre Garantie. Bei fehlendem Nachweis des Kaufdatums läuft die Garantie ab dem Herstellungsdatum des Produkts (siehe Angabe auf der Produktunterseite) (Abb. 27).

In den folgenden Fällen kommt die vertragliche Gewährleistung nicht zum Tragen:

- Normale Verschleißteile: Dichtungen, Ventile, Griff, Düse, Leitungen, Tragegurte, Schubstange und Hebel,  
- Im Widerspruch zu den technischen Empfehlungen genutzte Produkte,

- Missbräuchlich genutzte Produkte,

- Produkte, die nicht regelmäßig gewartet werden,

- Beschädigte Produkte (durch Stöße, Herunterfallen, Quetschen, etc.) aufgrund von Nachlässigkeit, mangelnder Wartung, fehlerhaftem oder unsachgemäßem Gebrauch des Produkts,

- Der Austausch von Komponenten nach Verlust einer Komponente des Sprühgeräts.

### **Nutzung der Garantie**

Wenden Sie sich an Ihren Händler, um Ihre Garantie in Anspruch zu nehmen.

Bitte bewahren Sie Ihren Kaufbeleg auf (Rechnung bzw. lesbaren Kassenbon). Er wird zur Geltendmachung der Vertragsgarantie von Ihnen verlangt werden.

Ein unter Garantie stehendes Produkt, das bereits repariert oder ausgetauscht wurde, behält seinen Garantieanspruch für die restliche Garantielaufzeit und zu den ursprünglichen Bedingungen der beim Kauf ausgestellten Vertragsgarantie.

Produkte, die zum Austausch durch ein neues Produkt zurückgesandt werden, werden Eigentum von HOZELOCK.

## **EU-KONFORMITÄTSERKLÄRUNG**

Gemäß DIN EN ISO/IEC 17050-1:2004 erklärt HOZELOCK, dass die folgenden HozeLock-Drucksprüher: PULSAR PLUS COMFORT (4712 / 4716 / 4416) die folgenden grundlegenden Sicherheits- und Gesundheitsschutzanforderungen erfüllt: die Maschinenrichtlinie 2006/42/EG und die Richtlinie 2009/127/EG zu ihrer Änderung und den folgenden Normen entspricht: ISO/FDIS 19932-1:2019(E) und ISO/FDIS 19932-2:2019(E)

## **NL GEBRUIKSAANWIJZING**

Deze handleiding is opgesteld in het Frans en goedgekeurd. Alle andere talen zijn vertalingen van het origineel. In het geval van conflicten, twijfels of onnauwkeurigheden tussen het Frans en andere talen, is het Frans bindend.



## **TOEPASSINGSGBIED**

Dit toestel is ontworpen voor de toepassing van producten VOOR DE TUIN (fungiciden, herbiciden, insecticiden).

Neem in geval van twijfel ALTIJD contact op met de FABRIKANT.

LET OP: Dit apparaat is niet geschikt om gechloreerde producten, oplosmiddelen op basis van aceton, zuren, bleekmiddel en zijn derivaten, reinigings- en desinfectiemiddelen te bevatten of te verstuiven.

## **MONTAGE**

Zie figuren **11 tot 17**.

- Afhankelijk van het model kunnen de optionele voorzieningen gemonteerd worden (**Fig. 18**).

## **VEILIGHEIDSVORSCHRIFTEN**

- De drukspuit moet gebruikt worden volgens de plaatselijke / nationale regelgevingen. De gebruiksaanwijzing dient als cursusboek.

Een drukspuit is een apparaat onder druk dat explosiegevaar kan meebrengen evenals vloeistofspatten als de in deze handleiding opgenomen instructies niet worden opgevolgd. Neem in geval van twijfel contact op met de fabrikant.

- Dit apparaat is uitgerust met een schakelaar op het handvat, waarmee de stroomvoorziening van de sproeilans onderbroken kan worden zodra men niet meer op de schakelaar drukt, zodat in noodgevallen besmetting van de gebruiker en de omgeving vermeden wordt.

- Demonteer nooit een element van de spuit, zonder tevoren de druk te hebben afgelaten.

- Verhelp in geval van een storing deze storing nooit midden op het veld. Haal de druk van het apparaat en voer de werkzaamheden uit op een hiervoor geschikte plek, om iedere besmetting te vermijden.

- Controleer de goede werking van het apparaat door de waterdichtheid te testen met enkele liters water in het reservoir.

- Het apparaat mag niet worden gebruikt en opgeslagen bij temperaturen onder 5°C en boven 40°C (**Fig. 2 en 3**).

- De te verstuiven oplossing mag niet warmer zijn dan 25°C (**Fig. 4**).

- Gebruik geen explosieve producten, zuren en / of corrosieve middelen in de drukspuit (**Fig. 5 en 6**).

- Verstuif niet in de richting van vlammen of een warmtebron.

- Spuit bij voorkeur alleen bij kalm weer (windstil) of richt anders de straal met de wind mee om besmetting van de gebruiker te vermijden.

- Verstuif, om afdrijving te vermijden, zo dicht mogelijk bij de te bespuiten zone en wanneer het windstil is.

- Bescherm het milieu, spuit alleen op de te behandelen oppervlakken.

- Draag beschermende kleding, veiligheidshandschoenen, een veiligheidsbril en een beschermend masker voor alle handelingen aan de verstuiver: vullen, verstuiven, reinigen, van product veranderen, onderhoud (**Fig. 7**).

- Houd derden en huisdieren op een redelijke afstand tijdens het verstuiven (**Fig. 8**).

- Rook, drink of eet niet tijdens gebruik.

- Dit product mag niet gebruikt worden in geval van vermoeidheid, ziekte, onder invloed van alcohol, drugs of andere medicatie.

- Om veiligheidsredenen mag deze verstuiver niet aangesloten worden op een andere voorziening.

Deze mag uitsluitend gebruikt worden met de originele onderdelen en accessoires van HOZELOCK. Alle onderdelen van de verstuiver werken mee aan de goede werking en de veiligheid van het apparaat en van de gebruiker.

## WERKING

- Houd u aan de instructies van de fabrikant van de behandelproducten (dosering, wijze van toepassing, spoelen).

- Maak niet meer klaar dan strikt noodzakelijk is en slechts voor één enkele toepassing.

- Het doseren gaat gemakkelijk dankzij de zichtbare maatverdeling op het reservoir. Vloeistofpeil is goed zichtbaar in de doorzichtige tank.

- Het klaarmaken van de te verstuiven oplossing:

a) Producten in poedervorm (oplosbaar of water dispergeerbaar poeder): maak de oplossing klaar in een emmer alvorens deze over te gieten in het reservoir, door de vulopening.

b) Product op vloeibare basis (op te lossen in water): giet 1 tot 2 liter water in het reservoir, giet de dosis van het vloeibare product erbij, vul dit aan met water in de gewenste hoeveelheid (Fig.19).

### Bij gebruik

- Schroef handmatig de vuldop op het reservoir (Fig. 19).

- Pomp 7 keer met gesloten spuit, om het apparaat op druk te brengen (Fig. 20).

- Vernevel door het indrukken van de hendel (Fig. 21).

- Pomp van tijd tot tijd door de zwengel te bedienen om de druk tijdens de verstuiving te handhaven.

- Stel de straal af door het spuitstuk in beide richtingen te draaien (Fig. 22 afhankelijk van het model. **22.b** Los het handvat voordat u een sproeistand kiest, zorg dat de pijl recht op het geselecteerde nummer wijst, voordat u sproeit. Deze info negeren kan lekkage veroorzaken).

- Afhankelijk van het model: De regelaar zorgt voor een constante spuitdruk. Het spuiten wordt zo uitgevoerd op de op de regelaar aangegeven druk, zelfs als de drukspuit op een hogere druk staat. Het spuiten stopt zodra de spuitdruk lager is dan die op de regelaar is aangegeven. Pomp opnieuw om de druk van het apparaat te verhogen.

- Er is een heel assortiment accessoires verkrijgbaar voor de juiste behandeling, aangepast aan diverse toepassingen (spuitboom, uitschuifbare sproeilans, sproeikap...) (Fig. 18). Zie de website [www.hozelock.com](http://www.hozelock.com)

### Na gebruik / Reiniging

Na elk gebruik :

- Zorg dat het niet gebruikte product en de verpakking het milieu niet kunnen vervuilen.

- Was uw handen en gezicht met schoon water na het gebruik van de drukspuit.

- Berg nooit een spuit op die nog onder druk staat.

- Spuit tot er lucht verschijnt in de straal en er geen druk meer achterblijft. Het restvolume van de vloeistof bedraagt minder dan 250 ml.

- Bewaar nooit een actief product in de spuit.

- Bewaar de drukspuit in een beschutte omgeving, buiten het bereik van kinderen.

- Reinig de handgreepfilter, de vulfilter en het spuitstuk met schoon water na het verwijderen van de druk die in het apparaat kan achterblijven door te sproeien zonder de pompzwengel te gebruiken. (Fig. 23-24).

- Vóór opslag en voordat de drukspuit met een ander product wordt gebruikt, moet deze worden gespoeld, dat wil zeggen voeg 1 liter water in het reservoir toe om te verdunnen, goed mengen en deze laten werken voor het spoelen van alle componenten van het apparaat.

Het spoelen moet gebeuren zonder het verwijderen van de accessoires gebruikt tijdens de behandeling. Dit spoelmengsel mag nooit in het riool worden afgevoerd, maar moet worden verstoven op het reeds behandelde terrein.

- Herhaal dit een paar keer vóór de winter.

- Spoelen met drukspuit voorzien van een drukregelaar: Voeg een liter water toe in de drukspuit en laat deze werken totdat er lucht in de straal verschijnt. Demonteer de regelaar, monteer de lans op de handgreep, en activeer de trekker om de druk volledig af te laten van de drukspuit.

Pas op, als u de regelaar wilt demonteren terwijl er product achterblijft in de drukspuit, draag dan handschoenen en activeer de trekker niet. Monteer de regelaar bij het einde van de behandeling om de spoeling uit te voeren zoals hierboven is beschreven.

- Als u een deel van het niet gebruikte middel overhoudt, laat dan de eventueel in het apparaat achtergebleven druk ontsnappen door te sproeien zonder de pompzwengel te gebruiken. Vang het overgebleven product op en spoel opnieuw de drukspuit door zoals hierboven aangegeven.

- Herhaal voor ieder gebruik, zelfs onmiddellijk, 3 keer het spoelen met verschillende oplossingen.

- Controleer voordat u de spuit opnieuw gebruikt, zelfs onmiddellijk na een vorig gebruik, met hetzelfde of een ander behandelproduct, steeds de goede werking van de drukspuit.

## SERVICEBEURT / ONDERHOUD

Smeer periodiek, na de winter bij het opnieuw opstarten en een paar keer per seizoen, alle pakkingen in (siliconevet voor drukspuit) en controleer de goede werking van drukspuit.

- Maak het spuitstuk en de spuitstukhouder schoon (Fig. 23)
- Reinig de sproeifilter (Fig. 24)
- Demonteer de pomp (Fig. 25)
- Smeer of vervang de sluitklep en de dichtingen (Fig. 25)
- De drukspuit is voorzien van een reservoir dat bestand is tegen UV-stralen.

- Productslijtage (schokken, vallen, breken, enz ...) vanwege verwaarlozing, gebrek aan onderhoud, gebrekkige of abnormaal gebruik van het product,
- De vervanging van een onderdeel, na verlies van een van de onderdelen van de drukspuit.

### Werking van de garantie

Neem contact op met uw detailhandelaar om gebruik te maken van uw garantie.

Wij vragen u uw aankoopbewijs (factuur of leesbare kassabon) te bewaren, dat in het geval van de toepassing van de Contractuele Garantie zal worden gevraagd.

Een product onder garantie dat is hersteld of vervangen, blijft gegarandeerd voor de resterende looptijd en de oorspronkelijke voorwaarden van de contractuele garantie verleend bij de aankoop.

Elk product dat is geretourneerd wordt eigendom van HOZELOCK wanneer het wordt vervangen door een nieuw product.

## PROBLEMEN / OPLOSSINGEN

Problemen	Oplossingen
Weinig of geen verstuiving	Controleer of alle aansluitingen goed vastgedraaid zijn.
	Zorg ervoor dat alle dichtingen gesmeerd en schoon zijn en niet beschadigd of versleten zijn. Vervang deze, indien nodig (neem contact op met servicedienst).
	Maak het spuitstuk en de filters schoon.
Het spuiten gebeurt niet recht	Maak het spuitstuk schoon.
Lekken	Controleer of alle aansluitingen goed vastgedraaid zijn.
	Zorg ervoor dat alle dichtingen gesmeerd en schoon zijn en niet beschadigd of versleten zijn. Vervang deze, indien nodig (neem contact op met servicedienst).
Na verloop van tijd blokkeert de hendel	Zorg ervoor dat de slang goed is gemonteerd op de leiding Zorg ervoor dat de afdichting is ingevet en niet beschadigd is (Fig. 25A) Demonteer de leiding van de pomp (Fig. 25), laat het water af (Fig. 26) en hermonteer de leiding.

## GARANTIE

### Uitbreiding van de contractuele garantie

Wij bieden een garantie van 3 jaar op onze producten. an bewijs van de datum van aankoop van producten, loopt de garantie vanaf de datum van fabricage van het product (vermeldt op het product). (Fig. 27).

De contractuele garantie is in de navolgende gevallen niet geldig:

- De normale slijtageonderdelen: dichtingen, kleppen, handvat, spuitstuk, leiding, draagriemen, drijfstang en de zwengel,
- De producten die worden gebruikt in strijd met de technische aanbevelingen
- De producten die niet worden gebruikt voor het beoogde gebruik,
- De producten die geen regelmatig onderhoud hebben ondergaan,

## EU-CONFORMITEITSVERKLARING

In overeenstemming met BS EN ISO/IEC 17050-1:2004 verklaart HOZELOCK dat de volgende Hozelock drukspuit: PULSAR PLUS COMFORT (4712 / 4716 / 4416). In overeenstemming is met de essentiële gezondheids- en veiligheidseisen van de volgende richtlijnen: Machinerichtlijn 2006/42/EG en diens wijzigingsrichtlijnen, waaronder 2009/127/EG en voldoet aan de volgende normen: ISO/FDIS 19932-1:2019(E) en ISO/FDIS 19932-2:2019(E)

## E MANUAL DE INSTRUCCIONES

El manual original fue redactado y aprobado en francés. Todos los demás idiomas son traducciones del original. En caso de un conflicto, una imprecisión o una discrepancia entre la versión francesa y otro idioma, prevalecerá la versión en francés.

## ÁMBITO DE APLICACIÓN

Este aparato ha sido diseñado exclusivamente para aplicar productos de JARDÍN (fungicidas, herbicidas e insecticidas).

En caso de duda, debe consultar OBLIGATORIAMENTE al FABRICANTE.

ATENCIÓN: este aparato no debe contener ni pulverizar productos clorados, con disolventes, productos a base de acetona y de base ácida, lejías, productos detergentes ni desinfectantes.

## MONTAJE

Ver Figuras **11 a 17**.

En función del modelo, monte el equipamiento opcional (Fig. 18).

## NORMAS DE SEGURIDAD

- El pulverizador debe utilizarse de acuerdo con las normas locales / nacionales. El manual de instrucciones sirve como formación.
- Un pulverizador es un aparato bajo presión el cual, si no se cumplen las consignas recogidas en este manual, podría ocasionar explosiones con proyecciones de líquido. En caso de duda, consulte con el fabricante.
- Este aparato está equipado con un interruptor en el mango que permite cortar la alimentación de la lanza cuando el interruptor se suelta, con el fin de impedir cualquier contaminación del usuario y del entorno en caso de emergencia.
- No desmontar ningún elemento del pulverizador sin antes haber liberado la presión.
- En caso de avería, no efectuar la reparación al aire libre. Despresurice el aparato y efectúe la intervención en un lugar adaptado para prevenir cualquier contaminación.
- Asegurarse de que el aparato funcione correctamente comprobando la estanqueidad vertiendo unos litros de agua en el depósito.
- El aparato no debe utilizarse ni almacenarse a temperaturas inferiores a 5 °C ni superiores a 40 °C (Fig. 2 y 3).
- La solución que se vaya a pulverizar no debe encontrarse a más de 25 °C (Fig. 4).
- No utilizar productos explosivos, ácidos ni corrosivos dentro del pulverizador (Fig. 5 y 6).
- No pulverice en dirección de llamas ni fuentes de calor.
- De manera ideal, el tratamiento debería efectuarse con unas condiciones climáticas favorables (sin viento), y si no es posible, dirigir el chorro de la pulverización en el sentido del viento para evitar contaminar al usuario.
- Para evitar la deriva, pulverizar lo más cerca posible de la zona a tratar y sin viento.
- Proteger el medio ambiente pulverizando únicamente las superficies que requieran tratamiento.
- Utilizar ropa de protección, guantes de seguridad, gafas protectoras y una máscara protectora para cualquier manipulación del pulverizador: rellenado, pulverización, limpieza, cambio de producto y mantenimiento (Fig. 7).
- Las demás personas y los animales domésticos deben mantenerse a una distancia razonable durante la pulverización (Fig. 8).

- No fume, ni beba ni coma mientras lo utiliza.
- No utilice este aparato en caso de fatiga o enfermedad ni bajo la influencia del alcohol, drogas o medicamentos.
- Por motivos de seguridad, este pulverizador no debe conectarse a otro equipo. Únicamente debe utilizarse con las piezas originales o con accesorios de HOZELOCK. Todas las piezas del pulverizador contribuyen al buen funcionamiento y a la seguridad del aparato y del usuario.

## FUNCIONAMIENTO

- Siga las instrucciones del fabricante de los productos de tratamiento (dosificación, modo de aplicación y enjuague).
- Prepare únicamente la cantidad de producto estrictamente necesaria para una sola aplicación.
- La graduación visible en el depósito facilita la dosificación. El nivel de líquido presente en el tanque se ve mediante transparencia.
- Preparación de la solución que se va a pulverizar:
  - a) Productos en polvo (solubles o mojables): prepare la solución en un cubo antes de traspasarla al depósito a través del orificio de llenado.
  - b) Productos de base líquida (que se deben diluir en agua): vierta en el depósito entre 1 y 2 litros de agua y la dosis correspondiente de producto líquido y rellene el depósito con agua hasta el nivel deseado (Fig. 19).
- Durante su utilización**
  - Atornille a mano el tapón de llenado o la bomba (según los aparatos) sobre el depósito (Fig. 19).
  - Bombee 7 veces para regular la presión (Fig. 20).
  - Pulverice pulsando el interruptor de la empuñadura (Fig. 21).
  - Bombee de vez en cuando accionando la palanca para mantener la presión durante la pulverización.
  - Ajuste el chorro girando la boquilla en ambos sentidos (Fig. 22, según el modelo. 22.b Suelte el gatillo del pulverizador antes de girar la boquilla para ajustar su posición. Asegúrese de que la flecha esté alineada con el número deseado antes de rociar. Si no lo hace, puede haber fugas.).
  - EQUIPAMIENTO OPCIONAL (según el modelo): el regulador de presión de 1 bar proporciona un presión de pulverización constante. Por lo tanto: La pulverización se realiza a una presión constante, incluso aunque el pulverizador esté regulado a una presión mayor que ésta. La pulverización se detiene cuando la presión de pulverización baja por debajo de la presión designada (cuidado, aún queda presión residual en el tanque). Vuelva a bombear para presurizar el aparato.

- Hay disponible una variedad de accesorios para garantizar un tratamiento adaptado a los diferentes usos (barra de herbicida, lanza telescópica, cono para herbicida, etc.) (Fig. 18). Consulte el sitio web [www.hozelock.com](http://www.hozelock.com)

### Tras su utilización / Limpieza

Después de cada utilización:

- Para evitar riesgos de contaminación, recupere el producto no utilizado junto con su embalaje.

- Lávese las manos y el rostro con agua limpia después de utilizar el pulverizador.

- No guarde nunca el pulverizador presurizado.

- Si pulveriza hasta la aparición de aire en el chorro: pulverice hasta que no haya presión. El volumen residual de líquido es inferior a 250 ml.

- No conserve nunca el producto de tratamiento dentro del pulverizador.

- Guarde el pulverizador en un lugar resguardado y fuera de alcance de los niños.

- Limpie el filtro de la empuñadura, el filtro de llenado y la boquilla con agua clara tras haber eliminado la presión residual que pueda quedar dentro del aparato pulverizando sin accionar la palanca de bombeo (Fig. 23-24).

- Antes de guardar el aparato y antes de volver a usarlo con otro producto de tratamiento, aclárelo: añada 1 litro de agua al depósito para diluir el producto, mézclela bien y haga funcionar el aparato para enjuagar todos los componentes del pulverizador. Aclare el aparato sin desmontar los accesorios utilizados durante el tratamiento. No vierta en ningún caso la mezcla de enjuague en el desagüe; pulverícela en el exterior, sobre el terreno ya tratado.

- Repita la operación varias veces antes del invierno.

- Enjuagado con el pulverizador equipado con el regulador de presión: añada 1 litro de agua al pulverizador, presurice y pulverice en un contenedor apto hasta que el líquido se haya evacuado y salga aire por la boquilla. Desmonte el regulador, vuelva a montar la lanza en la empuñadura y accione el disparador para quitar toda la presión del pulverizador.

Atención: si quiere quitar el regulador con producto en el pulverizador, utilice guantes y no apriete el disparador de la empuñadura. Cuando finalice el tratamiento, vuelva a montar el regulador para poder aclarar el aparato como se indica más arriba.

- Si queda producto de tratamiento sin utilizar, elimine la presión que pueda quedar dentro del aparato pulverizando sin accionar la palanca de bombeo. Recupere el producto sobrante y vuelva a enjuagar el pulverizador como se ha indicado.

- Antes de volver a utilizarlo para pulverizar otra disolución, aunque sea justo después, se debe repetir el enjuague tres veces seguidas.

- Antes de volver a utilizarlo con el mismo producto de tratamiento o con otro distinto, aunque sea inmediatamente, compruebe que el pulverizador funciona correctamente.

### MANTENIMIENTO / CONSERVACIÓN

Periódicamente, al reiniciar el aparato tras el invierno y varias veces cada temporada, engrase todas las juntas (con una grasa de silicona para pulverizador) y compruebe que el pulverizador funciona correctamente.

- Limpiar la boquilla y el portaboquillas (Fig. 23).

- Limpie el filtro de la lanza (Fig. 24).

- Desmonte la bomba (Fig. 25).

- Engrase o cambie la válvula y las juntas (Fig. 25).

- El pulverizador está equipado con un depósito resistente a la radiación ultravioleta.

### PROBLEMAS / SOLUCIONES

Problemas	Soluciones
Pulverización débil o ausente	Compruebe que todos los racores estén bien apretados.
	Asegúrese de que todas las juntas estén lubricadas y limpias y de que no estén deterioradas ni desgastadas. Cámbielas en caso necesario (contacte con el servicio de atención al cliente).
	Limpie la boquilla y los filtros.
La pulverización no sale recta	Limpie la boquilla.
Fugas	Compruebe que todos los racores estén bien apretados.
	Asegúrese de que todas las juntas estén lubricadas y limpias y de que no estén deterioradas ni desgastadas. Cámbielas en caso necesario (contacte con el servicio de atención al cliente).
Al cabo de unos instantes, la palanca se bloquea.	Verifique que el tubo está bien instalado sobre la tubería. Compruebe que la junta de la tubería está engrasada y en perfecto estado (Fig. 25.A). Desmonte la tubería de la bomba (Fig. 25), vaciarla de agua (Fig. 26) y volver a montar la tubería.

### GARANTÍA

#### Extensión de la garantía contractual

Nuestros productos están cubiertos por una garantía de 3 años. Si no se dispone de pruebas que demuestren la fecha de compra de los productos, la garantía pasará a aplicarse a partir de la fecha de fabricación del producto (indicada en la parte inferior del producto) (Fig. 27).



La garantía contractual no se aplicará en los siguientes casos:

- las piezas de desgaste normal: juntas, cierres, mango, boquilla, tuberías, correas de transporte, biela y palanca;
- los productos que se utilicen incumpliendo las recomendaciones técnicas;
- los productos que se usen indebidamente;
- los productos que no se sometan a un mantenimiento periódico;
- los deterioros del producto (golpes, caídas, aplastamientos, etc.) debidos a negligencias, falta de mantenimiento o usos indebidos o anómalos del producto;
- el reemplazo de componentes del pulverizador que se hayan perdido.

### **Funcionamiento de la garantía**

Póngase en contacto con su distribuidor para reclamar su garantía.

Le rogamos que conserve la prueba de compra (factura o recibo de caja legible), que se le pedirá en el caso de que se deba aplicar la garantía contractual.

Si un producto cubierto por la garantía se repara o se reemplaza, continuará cubierto durante el periodo restante y con las condiciones iniciales de la garantía contractual concedida al comprar el producto.

Todos los productos devueltos pasarán a ser propiedad de HOZELOCK al ser reemplazados por un producto nuevo.

## **DECLARACIÓN DE CONFORMIDAD DE LA UE**

De acuerdo con BS EN ISO/IEC 17050-1:2004 HOZELOCK declara que los siguientes pulverizadores a presión Hozelock: PULSAR PLUS COMFORT (4712 / 4716 / 4416). Cumplen los requisitos esenciales de salud y seguridad de las siguientes directivas: Directiva de máquinas 2006/42/CE y sus directivas rectificativas, incluyendo la 2009/127/CE y conforme a los siguientes estándares: ISO/FDIS 19932-1:2019(E) e ISO/FDIS 19932-2:2019(E)

## **S BRUKSANVISNING**

Originalbruksanvisningen är skriven och godkänd på franska. Alla andra språkversioner är översättningar av originalet. Vid konflikt, oklarhet eller bristande överensstämmelse mellan den franska och andra språkversioner, ska den franska versionen äga företräde.



## **ANVÄNDNINGSSOMRÅDE**

Denna apparat är endast avsedd att användas med produkter för trädgårdar (svamp-, växt- och insektbekämpningsmedel).

Samråd måste ske med tillverkaren om du är osäker.

**OBSERVERA:** Denna apparat får inte innehålla eller spruta klorhaltiga produkter, lösningsmedelsbaserade medel, aceton- eller syrabaserade produkter, klorblekmedel, tvättmedelsprodukter eller desinficeringsmedel.

## **MONTERING**

Se figurerna 11 till 17.

- Montera, beroende på modell, tillvalsutrustning (**Fig. 18**).

## **SÄKERHETSFÖRESKRIFTER**

- Trycksprutan får endast användas enligt lokala/nationella bestämmelser. Bruksanvisningen fungerar som utbildning.

- En tryckspruta är en trycksatt apparat som, om föreskrifterna i denna bruksanvisning inte respekteras, kan medföra explosionsrisk med utsprutande vätska. Samråd med tillverkaren om du är osäker.

- För att undvika eventuell kontaminering av operatör och miljö i ett nödfall är denna apparat försedd med en brytare på handtaget som bryter matningen till spjutet när den inte längre hålls nedtryckt.

- Demontera aldrig någon av trycksprutans delar utan att först ha gjort den trycklös.

- Utför inga reparationer ute på fältet vid eventuella problem. Undvik kontaminering genom att göra apparaten trycklös och utföra arbetet på lämplig plats.

- Säkerställ att apparaten fungerar som den ska genom att kontrollera att den är tät med hjälp av några liter vatten i behållaren.

- Apparaten får inte användas eller förvaras vid lägre temperatur än 5 °C eller högre än 40 °C (**Fig. 2 och 3**).

- Den lösning som ska sprutas ut får inte vara varmare än 25 °C (**Fig. 4**).

- Använd inga explosiva, sura och/eller frätande produkter i trycksprutan (**Fig. 5 och 6**).

- Spruta inte i riktning mot öppen låga eller värmekälla.

- Spruta helst bara vid lugnt väder (vindstilla) och i annat fall genom att rikta sprutstrålen i vindriktningen för att undvika att användaren blir kontaminerad.

- Undvik avvikelser genom att spruta så nära det område som ska behandlas som möjligt och vid vindstilla.

- Skydda miljön genom att bara spruta på ytor som ska behandlas.
- Bär alltid skyddskläder, skyddshandskar, skyddsglasögon och ansiktsskydd när du hanterar trycksprutan: påfyllning, sprutning, rengöring, byte av produkt, underhåll (Fig. 7).
- Håll utomstående och husdjur på rimligt avstånd medan du sprutar (Fig. 8).
- Du får inte röka, dricka eller äta något under användning.

- Denna apparat får inte användas av någon som är trött, sjuk eller påverkad av alkohol, droger eller läkemedel.
- Denna tryckspruta får av säkerhetsskäl inte anslutas till någon annan utrustning. Den får endast användas med Hozelock original reservdelar och tillbehör. Alla trycksprutans delar bidrar till dess funktion och till apparatens och dess användares säkerhet.

## FUNKTIONSSÄTT

- Respektera anvisningarna från tillverkaren av den produkt som används (dosering, användningsmetod, sköljning).
- Blanda aldrig större mängd produkt än som absolut behövs och endast för ett användningstillfälle.
- Den gradering som finns på behållaren gör det lätt att dosera. Tack vare att behållaren är genomskinlig är det lätt att se hur mycket vätska den innehåller.
- Blanda den lösning som ska sprutas:
  - a) Produkt i form av pulver (lösligt eller emulgerbart): blanda i ett spann innan du håller över i behållaren via påfyllningsöppningen.
  - b) Vätskebaserad produkt (spädbar i vatten): häll i 1-2 liter vatten i behållaren, häll i önskad dos av produkten i vätskeform och fyll sedan på med önskad mängd vatten (Fig. 19).

### Vid användning

- Skruva för hand, beroende på apparat, på påfyllningskork eller pump på behållaren (Fig. 19).
- Pumpa 7 gånger med stängt spjut för att trycksätta trycksprutan (Fig. 20).
- Spruta genom att trycka på handtagets brytare (Fig. 21).
- Pumpa med jämna mellanrum med spaken för att hålla trycket uppe under sprutningen.
- Ställ in strålen genom att vrida munstycket åt önskat håll (Fig. 22, beroende på modell).
- 22.b** Släppa spärren innan justering av sprutmunstycket kontrollera att pilen pekar på ett nummer, annars finns risk för läckage).
- TILLVALSUTRUSTNING (beroende på modell): tryckregulator för 1 bar ger ett konstant spruttryck. Därför: Sprutning sker med konstant tryck, även om trycksprutan ställts in på ett högre tryck.

Sprutning avbryts när spruttrycket faller under konstruktionstryck (var försiktig, det finns fortfarande tryck kvar i behållaren). Pumpa igen för att trycksätta apparaten.

- För att garantera att behandlingen är anpassad för olika användningsområden finns en rad olika tillbehör (ramp för ogräsbekämpning, teleskopspjut, hylsa för ogräsbekämpning osv.) (Fig. 18). Gå till webbplatsen [www.hozelock.com](http://www.hozelock.com)

### Efter användning/Rengöring

Efter varje användning:

- Undvik föroreningsrisk genom att ta hand om ej använd produkt och dess emballage.
- Tvätta händer och ansikte i rent vatten efter att ha använt trycksprutan.
- Förvara aldrig trycksprutan trycksatt.
- Spruta tills allt tryck är borta om du sprutar tills luft uppträder i sprutstrålen. Resterande volym är mindre än 250 ml.
- Ha aldrig kvar produkt i behållaren under förvaring.
- Förvara trycksprutan på sluten plats, utom räckhåll för barn.
- Rengör handtagsfilter, påfyllningsfilter och munstycke med rent vatten efter att ha släppt ut det tryck som kan finnas kvar i apparaten genom att spruta utan att använda pumpspaken (Fig. 23-24).
- Skölj apparaten innan du ställer undan och innan den används med en annan produkt. Du gör det genom att fylla behållaren med en liter vatten för att späda ut innehållet i den, blanda väl och spruta för att skölja ut alla apparatens delar. Sköljningen ska göras utan att de tillbehör som använts vid behandlingen demonteras. Denna sköljblandning får under inga omständigheter hållas ut i avloppet, utan ska sprutas ut utomhus på ytor som redan behandlats.
- Före vinterförvaring upprepas sköljningen flera gånger.
- Sköljning av tryckspruta med tryckregulator monterad: fyll sprutan med en liter vatten, trycksätt och spruta i en lämplig behållare tills all vätska sprutats ut och luft kommer ur munstycket. Demontera regulatorn, montera tillbaka spjutet på handtaget och tryck på avtryckaren tills trycksprutan är helt trycklös. Viktigt: bär handskar och tryck inte på handtagets avtryckare om du vill demontera regulatorn när det finns produkt kvar i trycksprutan. Efter behandling monterar du tillbaka regulatorn och sköljer enligt anvisningarna ovan.
- Om det fortfarande finns kvar oanvänd produkt släpper du ut det tryck som kan finnas kvar i apparaten genom att spruta utan att använda pumpspaken. Samla upp eventuell resterande produkt och skölj trycksprutan igen enligt anvisningarna ovan.

- Gör om sköljrutinen tre gånger efter varandra före varje ny användning med en annan sprutlösning, även om den följer omedelbart på en annan.
- Kontrollera före varje ny användning att trycksprutan fungerar väl (särskilt ventilen), även om den följer omedelbart på annan användning och även om det rör sig om samma produkt.

## SERVICE / UNDERHÅLL

Fetta regelbundet, vid start efter vinterförvaring och flera gånger under säsongen, in samtliga packningar (med silikonfett för trycksprutor) och kontrollera att trycksprutan fungerar väl.

- Rengör munstycke och munstyckshållare (Fig. 23)
- Rengör spjutets filter (Fig. 24)
- Demontera pumpen (Fig. 25)
- Smörj eller byt backventil och packningar (Fig. 25)
- Trycksprutans behållare är beständig mot UV-strålning.

## PROBLEM / LÖSNING

Problem	Lösning
Svag eller ingen sprutstråle	Kontrollera att alla kopplingar är väl åtdragna.
	Kontrollera att alla packningar är smorda och rena och inte skadade eller slitna. Byt vid behov (kontakta kundtjänst).
	Rengör munstycke och filter.
Sprutstrålen är inte rak	Rengör munstycket.
Läckage	Kontrollera att alla kopplingar är väl åtdragna.
	Kontrollera att alla packningar är smorda och rena och inte skadade eller slitna. Byt vid behov (kontakta kundtjänst).
Efter en stund blir det omöjligt att röra spaken	Kontrollera att slangen är ordentligt monterad på rörledningen Kontrollera att rörledningens packning är infettad och inte skadad (Fig. 25.A). Demontera pumpens rörledning (Fig. 25), töm den på vatten (Fig. 26) och montera tillbaka den.

## GARANTI

### Förlängd avtalsgaranti

Vi lämnar tre års garanti på våra produkter. I avsaknad av bevis på inköpsdag för en produkt börjar garantin löpa från produktens tillverkningsdag (anges på undersidan av produkten) (Fig. 27).

Avtalsgarantin gäller inte i följande fall:

- normala slitdelar: packningar, ventiler, handtag, munstycke, slangar, bärselar, stång och spak,
- produkt som använts i strid med de tekniska rekommendationerna,
- produkt som använts felaktigt,
- produkt som inte blivit föremål för regelbundet underhåll,
- Skada på produkt (slag, fall, stöt osv.) till följd av vårdslöshet, bristande underhåll, felaktig eller onormal användning av produkten, samt
- Byte av komponent sedan någon av trycksprutans komponenter har gått förlorad.

### Så fungerar garantin

Kontakta din återförsäljare om du har ett garantikrav.

Du bör spara inköpsbeviset (faktura eller läsligt kassakvitto), som ska företes vid krav enligt avtalsgarantin.

En produkt som omfattas av garantin och som reparerats eller bytts ut omfattas fortsatt av garantin under den tid som återstår och enligt de villkor för avtalsgarantin som ursprungligen gällt.

Varje produkt som returneras blir egendom tillhörig HOZELOCK när den byts ut mot en ny produkt.

### EU-FÖRSÄKRAN OM ÖVERENSSTÄMMELSE

Enligt SS-EN ISO/IEC 17050-1:2004 Hozelock försäkrar att nedanstående Hozelock tryckspruta: PULSAR PLUS COMFORT (4712 / 4716 / 4416). Överensstämmer med de grundläggande kraven på hälsa och säkerhet i följande EU-direktiv: Maskindirektivet, 2006/42/EG, i dess nuvarande lydelse, inklusive 2009/127/EG, och överensstämmer med följande standarder: ISO/FDIS 19932-1:2019(E) och ISO/FDIS 19932-2:2019(E)

## N BRUKSANVISNING

Den originale veiledningen ble skrevet og godkjent på fransk. Alle andre språk er oversettelser av originalen. Dersom det skulle oppstå konflikt, upresisiteter eller avvik mellom den franske teksten og teksten oversatt til andre språk, er det alltid det franske versjonen som vil gjelde.

## BRUKSOMRÅDE

Dette produktet skal kun brukes til HAGEprodukter (soppdrepende middel, ugressmiddel, insektmiddel).

KONTAKT PRODUSENTEN hvis du har spørsmål.

OBS: Produktet må ikke fylles med eller spraye produkter som inneholder klor, løsemiddel, aceton, syrer, blekemiddel, vaskemiddel eller desinfeksjonsmiddel.

## MONTERING

Se figur 11 til 17.

Avhengig av modell, monter valgfritt utstyr (Fig. 18).

## SIKKERHETSREGLER

- Bruk trykksprøyten med håndtak i henhold til lokal og nasjonal lovgivning. Bruksanvisningen gir deg all informasjon du trenger for å bruke produktet.

- Trykksprøyten består av en beholder under trykk. Denne beholderen kan medføre eksplosjonsfare med væskesprut hvis ikke bruksanvisningen blir fulgt. Kontakt produsenten ved tvil.

- Apparatet har en bryter på håndtaket som stopper væskespruten hvis ikke bryteren holdes inne. Dette skal forhindre forurensning av brukeren og miljøet i nødstilfeller.

- Ikke demonter trykksprøyten før trykket er frigitt.

- Ikke reparer trykksprøyten i hagen. Fjern trykket fra apparatet og reparer trykksprøyten på et egnet sted for å unngå å forurense miljøet.

- Kontroller at trykksprøyten er i god stand og ikke lekker ved å helle et par liter vann på tanken.

- Sprøyten må ikke brukes ved temperaturer under 5 °C eller over 40 °C (Fig. 2 og 3).

- Oppløsningen som skal sprøytes må ikke være over 25 °C (Fig. 4).

- Ikke bruk eksplosive produkter, eller sure og / eller etsende produkter i sprøyten (Fig. 5 og 6).

- Spruten må ikke rettes mot flammer eller varmekilder.

- Bruk sprøyten helst i rolig vær (uten vind), eller sprøyte med vinden for ikke å forurense brukeren.

- For å unngå at produktet som sprayes føres avgårde med vinden, må du sprøyte så nært som mulig det området som skal behandles.

- Tenk miljøvern, sprøyt kun de områdene som skal behandles.

- Bruk verneutstyr, vernehansker, vernebriller og maske når du fyller på, sprøyter, rengjør, bytter produkt og vedlikeholder trykksprøyten (Fig. 7).

- Andre mennesker og dyr skal holdes på fornuftig avstand mens du sprøyter (Fig. 8).

- Det er forbudt å røyke, drikke eller spise mens sprøyten brukes.

- Ikke bruk apparatet hvis du er sliten, syk, har drukket alkohol, tatt narkotika eller medisiner.

- Av sikkerhetshensyn skal ikke trykksprøyten kobles til andre enheter. Den skal kun brukes med opprinnelige deler og tilbehør fra HOZELOCK.

Alle delene på apparatet bidrar til at det fungerer som det skal og at det er trygt å bruke.

## BRUKSANVISNING

- Følg instruksjonene fra produsenten av midlene (dosering, bruksmetode, skylling).

- Lag kun den mengden som er strengt nødvendig og for én enkelt behandling.

- Beholderen har volumindikator slik at det blir lettere å dosere. Væsknivået er synlig gjennom beholderen.

- Tilberedning av sprøyteløsningen:

a) Pulverprodukter (oppløselige): Bland produktet ut i en bøtte før du heller det over i beholderen.

b) Væsker (som skal blandes ut i vann): Ha 1 til 2 liter vann i beholderen, hell i riktig produktmengde og fyll på med resten av vannet (Fig. 15).

### Under bruk

- Skru for hånd påfyllingskorken på tanken (Fig. 19).

- Pump 7 ganger med lansens stengt for å øke trykket (Fig. 20).

- Sprøyt ved å trykke på bryteren på håndtaket (Fig. 21).

- Pump av og til med spaken for å beholde trykket under sprøytingen.

- Strålen justeres ved å vri dysen til høyre eller venstre (Fig. 22, avhengig av modell. 22.b Slipp avtrekkeren før du roterer dysen til forskjellige innstillinger. Forsikre deg om at pilen er på linje med tallet før sprøyting. Unnlattelse av dette kan føre til lekkasjer).

- VALGFRITT UTSTYR (avhengig av modell): 1 bar trykkregulator gir et konstant sprøytetrykk.

Derfor: Skjer sprøytingen ved konstant trykk selv om sprøyten blir stilt på høyere trykk enn dette. Stopper sprøytingen når sprøytetrykket faller under det bestemte trykket (forsiktig, det er fremdeles resttrykk i tanken). Pumpe igjen for å trykks sette apparatet.

- Trykkpumpen kan utstyres med tilbehør til ulik bruk (flere dysehoder, teleskoprør, deksel ...) (Fig. 18). Mer informasjon på nettstedet [www.hozelock.com](http://www.hozelock.com)

### Etter bruk / rengjøring

Etter hver bruk:

- Spar på det ubrukte middelet og gjenvinn emballasjen for å unngå forurensning.

- Vask hendene og ansiktet med rent vann etter at du har brukt trykkpumpen.

- Sett aldri fra deg trykkpumpen med trykk i beholderen.

- Hvis du sprøyter inntil det kommer luft ut av dysen, sprøyt inntil det ikke er trykk igjen. Restvolumet i tanken er mindre enn 250 ml.

- Sprøytemidler må aldri oppbevares inni trykksprøyten.

- Oppbevar sprøyten på et lukket sted og utilgjengelig for barn.

- Rengjør filteret på håndtaket, påfyllingsfilteret og dysen med rent vann. Fjern først trykket som eventuelt er igjen i sprøyten ved å sprøyte uten å bruke pumpepakken. (Fig. 23-24).

- Før du rydder vekk trykkbeholderen og før du heller i andre produkter, må du skylle trykkbeholderen. Det gjør du ved å fylle på 1 liter vann i beholderen, blande godt og sprøyte for å skylle alle delene. Skyll trykkbeholderen med tilbehøret montert på slik at du rengjør alle delene du har brukt. Blandingen som du bruker til å skylle med, skal ikke tømmes i kloaknett; men sprayes på det samme området som du allerede har behandlet.

- Gjenta rengjøringen flere ganger før du rydder bort produktet.

- Skylling med sprøyte utstyrt med trykkregulator: tilsett 1 liter vann i sprøyten, trykks sette den og sprøyt inn i en egnet beholder helt til all væsken er tømt og det kommer kun luft ut av dysen. Demonter regulatoren, sett tilbake lansen på håndtaket og trykk på bryteren for å fjerne trykket i trykksprøyten fullstendig.

NB, hvis du vil demontere regulatoren mens det fortsatt er middel igjen i trykksprøyten, bruk hansker og ikke trykk på bryteren på håndtaket. Når sprøytingen er utført, monter regulatoren for å skylle apparatet som forklart ovenfor.

- Hvis du fortsatt har ubrukt sprøytemiddel, fjern eventuelt resttrykk ved å sprøyte uten å bruke pumpepakken. Hell ut middelet som eventuelt er igjen, og skyll sprøyten på nytt slik det står ovenfor.

- Før du bruker trykkbeholderen på nytt – selv umiddelbart – må du skylle den tre ganger som forklart over.

- Før du bruker trykkbeholderen på nytt – selv umiddelbart – med samme produkt eller andre produkter, må du kontrollere at den fungerer som den skal.

## VEDLIKEHOLD

Når du starter på nytt etter overvintring og flere ganger gjennom sesongen, må du jevnlig smøre alle delene (med silikonfett for trykkpumpe) og kontrollere at sprøyten fungerer.

- Rengjør dysen og festet (Fig. 23)

- Rens filteret på pekerøret (Fig. 24)

- Demonter pumpen (Fig. 25)

- Ta på fett eller bytt ut ventil og pakninger (Fig. 25)

- Beholderen på trykkpumpen er motstandsdyktig mot UV-stråler.

## PROBLEMER / LØSNINGER

Problem	Løsning
Svak eller ingen sprut	Påse at alle pakningene er godt lukket.
	Påse at alle skjøtene er smurte, rene og ikke skadde eller slitte. Bytt dem ut om nødvendig (kontakt kundeservice).
	Rengjør dysen og filtrere.
Spruten går ikke rett frem	Rengjør dysen.
Lekkasjer	Påse at alle pakningene er godt lukket.
	Påse at alle skjøtene er smurte, rene og ikke skadde eller slitte. Bytt dem ut om nødvendig (kontakt kundeservice).
Etter en stund blir håndtaket umulig å operere	Påse at slangen er korrekt festet til munnstykket. Påse at munnstykkets pakninger er smurte og ikke har noen skader (figur 25.A). Koble munnstykket fra pumpen (figur 25), tøm ut vannet (figur 26) og fest munnstykket på nytt.

## GARANTI

### Utvidelse av kontraktsgarantien

Vi garanterer produktene våre i 3 år. Hvis du ikke kan fremlegge dokumentasjon på kjøpsdatoen, løper garantien fra produksjonsdatoen for produktet (angitt under produktet). (Fig. 27).

Kontraktsgarantien gjelder ikke i for:

- vanlige slitasjedeler: skjøter, ventiler, håndtak, dyse, rør, bærestopper, koblingsstang og spake,

- produkter som har blitt brukt i strid med de tekniske anbefalingene
- produkter som har blitt misbrukt
- produkter som ikke har blitt regelmessig vedlikeholdt
- skader på produktet (slag, fall, knusing osv. ...)
- forårsaket av uaktsomhet, manglende vedlikehold, misbruk eller unormal bruk av produktet
- utskiftning av en del etter tap av delen

#### **Garantiens anvendelse:**

Ta kontakt med forhandleren din for å benytte deg av garantien.

Vi ber deg om å oppbevare kjøpsdokumentasjonen (leselig regning eller kvittering). Du vil bli bedt om å fremlegge dette for å gjøre bruk av garantien.

Et produkt under garanti som har blitt reparert eller skiftet ut, dekkes av garantien i resten av garantiperioden, på de opprinnelige vilkårene i kontraktsgarantien fastsatt på kjøpstidspunktet.

Ethvert returnert produkt tilhører på nytt HOZELOCK når produktet byttes ut med et nytt produkt.

### **EU SAMSVARSERKLÆRING**

I overensstemmelse med BS EN ISO/IEC 17050-1:2004 erklærer HOZELOCK at følgende Hozelock trykksprøyter: PULSAR PLUS COMFORT (4712 / 4716 / 4416), er i overensstemmelse med de viktigste helse- og sikkerhetskravene i følgende direktiver: Maskindirektivet 2006/42/EF og det endringsdirektiv, herunder 2009/127/EF, og i samsvar med følgende standarder: ISO/FDIS 19932-1:2019(E) og ISO/FDIS 19932-2:2019(E)

### **FIN KÄYTTÖOHJE**

Alkuperäinen käyttöopas on kirjoitettu ja hyväksytty ranskan kielellä. Kaikki muut kielet on käännetty alkuperäisestä tekstistä. Ristiriitatilanteissa, epätasällisyyksissä tai epä johdonmukaisuuksissa ranskankielisen ja muiden kieliversioiden välillä ranskankielinen versio on vallitseva versio.

### **KÄYTTÖTARKOITUS**

Tämä laite on suunniteltu ainoastaan PUUTARHA-AINEIDEN (sienimyrkyt, rikkaruohomyrkyt, hyönteismyrkyt) levittämiseen.

Jos olet epävarma laitteen käyttötarkoituksesta, ota EHDOTTOMASTI yhteyttä VALMISTAJAAN.

HUOMAA: Tässä laitteessa ei saa käyttää tai sillä ei saa ruiskuttaa kloorattuja tuotteita, liuotinaineita, asetonipohjaisia tai happopohjaisia aineita, valkaisuaineita, pesuaineita ja desinfiivia aineita.

### **KOKOAMINEN**

Katso Kuvat 11-17.

- Mallista riippuen, asenna valinnainen lisävaruste (**Kuva 18**).

### **TURVALLISUUSSÄÄNNÖT**

- Ruiskua on käytettävä paikallisten/kansallisten säädösten mukaisesti. Käyttöohje opastaa laitteen käytössä.

- Ruisku on paineenalainen laite, joka voi aiheuttaa räjähdysvaaran nesteen purkautumisen vuoksi, mikäli näissä ohjeissa annettuja neuvoja ei noudateta. Jos herää kysyttävää, ota yhteyttä valmistajaan.

- Tämä laite on varustettu kahvassa olevalla katkaisimella, jonka avulla varren virransyöttö voidaan katkaista heti, kun katkaisinta ei paineta. Näin ehkäistään käyttäjän ja ympäristön altistuminen kontaminaatiolle hätätapauksissa.

- Älä koskaan irrota ruiskuosaa laskematta ensin painetta.

- Jos laite ei toimi, älä suorita korjaustoimenpiteitä keskellä peltoa. Poista laitteen paine ja tee korjaukset asianmukaisessa paikassa, jossa ei ole kontaminaatiovaaraa.

- Tarkista laitteen hyvä toimintakunto tarkastamalla tiivisteiden tila lisäämällä muutama litra vettä säiliöön.

- Laitetta ei saa käyttää tai säilyttää alle +5°C ja yli +40°C asteen lämpötiloissa (**Kuvat 2 ja 3**).

- Ruiskutusaineen lämpötila ei saa olla yli 25 °C (**Kuva 4**).

- Älä käytä ruiskussa räjähtäviä, happoa sisältäviä ja/tai syövyttäviä aineita (**Kuvat 5 ja 6**).

- Älä ruiskuta liekkejä tai lämmönlähdettä kohti.

- Käytä ruiskua ihanteellisesti vain tyynellä ilmalla (ilman tuulta), ja muussa tapauksessa kohdistamalla ainesuihku tuulen suuntaan estääksesi käyttäjän kontaminaatiolta.

- Ehkäistäksesi ruiskutettavan aineen ajautumista väärälle alueelle, ruiskuta mahdollisimman lähellä käsiteltävää aluetta ja ilman tuulta.

- Suojele luontoa, ruiskuta vain käsiteltäviä alueita.

- Käytä suojavaatteita, -käsineitä, -laseja ja -Maskia aina kun käytät ruiskua; kun täytät tai puhdistat ruiskua, ruiskutat sillä, vaihdat ruiskutettavaa ainetta tai huollat sitä (**Kuva 7**).

- Varmista, että muut ihmiset ja kotieläimet pysyvät riittävän kaukana ruiskuttamisen aikana (**Kuva 8**).

- Älä tupakoi, juo tai syö ruiskuttamisen aikana.

- Tätä laitetta ei saa käyttää väsyneenä, sairaana eikä alkoholin, huumeiden tai lääkkeiden vaikutuksen alaisena.

- Tätä ruiskua ei saa kytkeä muuhun laitteeseen turvallisuussyistä. Sitä saa käyttää vain HOZELOCKIN alkuperäisten osien ja lisävarusteiden kanssa. Kaikki ruiskun osat edesauttavat laitteen hyvää toimintaa sekä laitteen ja käyttäjän turvallisuutta.

## KÄYTTÖ

- Noudata käsittelyaineiden valmistajien antamia ohjeita (annostus, levitystapa, huuhtelu).

- Valmistele vain tarvittava määrä ainetta ja aina vain yhtä käyttökertaa varten.

- Annostelu on helppoa säiliössä näkyvän mitta-asteikon avulla. Nesteen taso näkyy hyvin läpinäkyvässä säiliössä.

- Ruiskutettavan liuoksen valmisteleminen:

a) Jauhemainen aine (liukeneva tai laimennettava): valmistele aine sangossa ennen kuin kaadat sen säiliöön täyttökaukon kautta.

b) Nestemäinen aine (veteen laimennettava): laita 1-2 litraa vettä säiliöön, kaada annos nestemäistä ainetta ja lisää vettä haluamasi määrän saavuttamiseksi (**kuva 19**).

### Käytön aikana

- Kierrä käsin säiliön täyttökorkkia (**Kuva 19**).

- Pumpkaa 7 kertaa ruiskuletku kiinni laitteen paineen nostamiseksi (**Kuva 20**).

- Ruiskuta ainetta painamalla kahvan kytkintä (**Kuva 21**).

- Pumpkaa laitetta silloin tällöin käyttämällä vipua säilyttääksesi laitteen paineen ruiskutuksen aikana."

- Säädä suihkua kääntämällä suutinta molempiin suuntiin (**Kuva 22**, riippuu mallista. **22.b** Vapauta liipaisin ennen suuttimen kääntämistä eri asetuksiin. Varmista, että nuoli on linjassa numeron kanssa ennen ruiskutusta. Tämän tekemättä jättäminen voi johtaa vuotoihin).

- VALINNAISET LISÄVARUSTEET (mallista riippuen): 1 baarin paineensäädin takaa tasaisen ruiskutuspaineen. Sen tähden: Ruiskutus tapahtuu tasaisella paineella, vaikka ruisku olisi säädetty tätä korkeammalle paineelle. Ruiskutus lakkaa, kun ruiskutusaine laskee ilmoitetun paineen alapuolelle (ole varovainen, säiliössä on vielä jäljellä painetta). Pumpkaa uudelleen paineistaaksesi laitteen.

- Laitteelle on saatavilla valikoima lisävarusteita erilaisiin käsittelytarkoituksiin (rikkaruohojen poistotalusta, teleskooppivarsi, rikkaruohojen poistomaski...) (**Kuva 18**).

Katso sivusto [www.hozelock.com](http://www.hozelock.com)

### Käytön jälkeen / Puhdistus

Jokaisen käyttökerran jälkeen:

- Ehkäise ympäristöriskejä keräämällä talteen käyttämättä jäänyt käsittelyaine sekä tätä sisältänyt astia.

- Pese kädet ja kasvat puhtaalla vedellä ruiskun käytön jälkeen.

- Älä koskaan säilytä ruiskua, jos sen sisällä on painetta.

- Jos ruiskutat ainetta niin kauan, että laitteen suihkusta tulee ilmaa, ruiskuta, kunnes laitteessa ei ole enää painetta. Laitteessa jäljellä oleva nesteen määrä on alle 250 ml.

- Älä koskaan säilytä käsittelyainetta ruiskun sisällä.

- Säilytä ruisku suljetussa paikassa lasten ulottumattomissa.

- Puhdista kahvan suodatin, täyttösuo-datin ja suutin puhtaalla vedellä sen jälkeen, kun olet tyhjentänyt laitteeseen mahdollisesti jääneen paineen ruiskuttamalla käyttämättä pumppausvipua (**Kuva 23-24**).

- Ennen säilytystä ja ennen kuin käytät ruiskua toisen käsittelyaineen kanssa, huuhtele ruisku lisäämällä 1 litra vettä laimennettavaksi säiliöön, sekoita ja käynnistä ruisku huuhdellaksesi laitteen kaikki osat.

Tämä huuhtelutoiminto on suoritettava irrottamatta käsittelyn aikana käytettyjä lisävarusteita. Tätä huuhteluseosta ei saa missään tapauksessa heittää viemäriin, vaan se ruiskutettava ulkona jo käsitellylle alueelle."

- Toista sama useita kertoja ennen talvisäilytystä.

- Huuhtelu ruiskulla, joka on varustettu paineensäätimellä: lisää 1 litra vettä ruiskuun, paineista ja ruiskuta sopivaan astiaan, kunnes kaikki neste on poistettu ja suuttimesta tulee ilmaa. Irrota säädin, kiinnitä ruiskuletku kahvaan uudelleen ja paina liipaisinta tyhjentääksesi kokonaan ruiskun paineen.

Huomio! Jos haluat irrottaa säätimen vaikka ruiskussa on vielä ainetta, käytä käsineitä äläkä paina kahvan liipaisinta. Käsittelyn jälkeen kiinnitä säädin uudelleen ja suorita huuhtelu yllä kuvatulla tavalla.

- Jos laitteeseen jää käyttämätöntä käsittelyainetta, tyhjennä laitteeseen mahdollisesti jäänyt paine ruiskuttamalla käyttämättä pumppausvipua. Kerää liika aine ja huuhtele ruisku uudelleen yllä kuvatulla tavalla.

- Ennen kuin otat ruiskun uudelleen käyttöön eri ruiskutusaineella, vaikka se olisi heti, toista huuhtelutoiminto 3 kertaa.

- Ennen kuin otat ruiskun uudelleen käyttöön samalla tai toisella käsittelyaineella, vaikka se olisi heti, tarkista ruiskun hyvä kunto.

## HUOLTO/YLLÄPITO

Voitele tiivisteet (ruiskulle tarkoitettulla silikonirasvalla) säännöllisesti, käynnistäessäsi sen talvikauden jälkeen ja useita kertoja käyttökauden aikana. tarkista ruiskun hyvä kunto.

- Puhdista suutin ja suutinpidike (kuva 23)
- Puhdista varren suodatin (kuva 24)
- Irrota pumppu (kuva 25)
- Voitele tai vaihda läppä ja tiivisteet (kuvat 25)
- Ruisku on varustettu UV-säteilyä kestävällä säiliöllä.

## ONGELMAT / RATKAISUT

Ongelmat	Ratkaisut
Heikko ruiskutus tai ei ruiskutusta ollenkaan	Varmista, että kaikki liittimet on kiristetty kunnolla.
	Varmista, että kaikki tiivisteet on rasvattu ja puhtaat, ja että ne eivät ole kuluneet tai rikki. Vaihda ne tarvittaessa (ota yhteys kuluttajien huoltopalveluun).
	Puhdista suutin ja suodattimet.
Ruisku ei ole suorassa	Puhdista suutin.
Vuodot	Varmista, että kaikki liittimet on kiristetty kunnolla.
	Varmista, että kaikki tiivisteet on rasvattu ja puhtaat, ja että ne eivät ole kuluneet tai rikki. Vaihda ne tarvittaessa (ota yhteys kuluttajien huoltopalveluun).
Jonkin ajan kuluttua vipua ei pysty käyttämään	Varmista, että letku on hyvin kiinnitetty pumppuputkeen. Varmista, että putken tiiviste on rasvattu ja ettei siinä ole vaurioita (kuva 25 A). Irrota putki (kuva 25) pumpusta, poista siitä vesi (kuva 26) ja asenna putki takaisin.

## TAKUU

### Sopimuksenalaisen takuun lisäosa

Tuotteillamme on 3 vuoden takuu. Jos ostopäivää ei voida todistaa, takuu alkaa tuotteen valmistuspäivästä (luetaan tuotteen alta) (kuva 27).

Sopimuksenmukainen takuu ei kata seuraavia tapauksia:

- Normaalisti kuluvat osat: tiivisteet, läpät, kahva, suutin, letkut, kantohihnat, kiertokanki ja vipu

- Tuotteet, joita on käytetty teknisten suositusten vastaisella tavalla

- Tuotteet, joita on käytetty väärin

- Tuotteet, joita ei ole huollettu säännöllisesti

- Tuotteen vioittumiset (iskut, pudotukset, musertuminen jne...), jotka aiheutuvat tuotteen laiminlyönnistä, huoltovirheestä tai viallisesta tai epänormaalista käytöstä

- Osan vaihto ruiskun osan katoamisen vuoksi.

### Takuun käyttö

Käytä takuuta ottamalla yhteys jälleenmyyjääsi.

Pyydämme sinua säilyttämään ostotodistuksen (laskun tai luettavissa olevan kassakuitin), joka sinulta pyydetään mikäli haluat käyttää sopimuksenmukaista takuuta.

Takuunalainen tuote, joka on korjattu tai vaihdettu, säilyy takuunalaisena jäljellä olevan ajan ostopäivänä myönnetyn sopimuksenalaisen takuun alkuperäisten ehtojen mukaisesti.

Kaikki palautetut tuotteet siirtyvät HOZELOCK omistukseen, kun ne vaihdetaan uuteen tuotteeseen.

## EU VAATIMUSTENMUKAISUUSTODISTUS

Standardin BS EN ISO/IEC 17050-1:2004 mukaisesti HOZELOCK ilmoittaa, että seuraavat Hozelock-paineruiskut: PULSAR PLUS COMFORT (4712 / 4716 / 4416) ovat seuraavien direktiivien tärkeiden terveys- ja turvallisuusvaatimusten mukaisia: Koneturvallisuusdirektiivi 2006/42/EC ja sen muutetut direktiivit, mukaan lukien 2009/127/EC, ja että ne ovat seuraavien standardien mukaisia: ISO/FDIS 19932-1:2019(E) ja ISO/FDIS 19932-2:2019(E)

## DK BRUGERVEJLEDNING

Den originale vejledning er skrevet og godkendt på fransk. Alle andre sprog er oversættelser af originalen. Hvis der er konflikt, unøjagtigheder eller afvigelser mellem den franske vejledning og vejledningen på andre sprog, er det den franske version, der er gældende.



## ANVENDELSESOMRÅDE

Dette redskab er udelukkende fremstillet til brug med HAVEPRODUKTER (svampedræbende, ukrudsdræbende, insektdræbende).

I tvivlstilfælde er det ABSOLUT NØDVENDIGT at rådføre sig med KONSTRUKTØREN.

VIGTIGT: Dette redskab må ikke indeholde eller sprøjte produkter med klor, opløsningsmidler, produkter på basis af acetone og syre, klorid, vaskemidler eller desinficerende midler.



## MONTERING

Se figur 11 til 17.

Saml ekstraudstyret, afhængigt af modellen (Fig. 18).

## SIKKERHEDSREGLER

- Sprøjten skal anvendes i henhold til de lokale/nationale bestemmelser. Brugsanvisningen gør det ud for lærebog.

- En sprøjte er et redskab under tryk, som kan udgøre en risiko for eksplosion, med udsprøjtning af væske til følge, hvis påbuddene i denne vejledning ikke overholdes. I tvivlstilfælde kontaktes konstruktøren.

- Dette redskab er udstyret med en afbryder på håndtaget, som afbryder forsyningen til sprøjtelansen, så snart afbryderen ikke holdes inde, med henblik på at undgå enhver form for kontaminering af operatøren og miljøet i en nødsituation.

- Afmonter aldrig et element på sprøjten uden først at have fjernet trykket.

- I tilfælde af nedbrud, må der ikke udføres afhjælpning i sprøjteområdet. Fjern trykket fra redskabet, og udfør udbedring af redskabet på et passende sted for at undgå enhver kontaminering.

- Kontroller, at redskabet fungerer korrekt ved at kontrollere tætheden ved brug af nogle liter vand i beholderen.

- Redskabet må ikke anvendes og opbevares ved temperaturer under 5°C og over 40°C (fig. 2 og 3).

- Opløsningen, der skal sprøjtes med, må ikke overstige 25°C (fig. 4).

- Brug ikke eksplosive, syreholdige og/eller korroderende produkter i sprøjten (fig. 5 og 6)

- Sprøjt ikke i retning af åben ild eller varmekilder.

Brug kun sprøjten i stille vejr (ideelt uden vind) og ved at rette sprøjtestrålen i vindens retning for at undgå kontaminering af brugeren.

- For at undgå for stor spredning, skal der sprøjtes så tæt som muligt på det område, der skal behandles og uden vind.

- Pas på miljøet, spred kun dér, hvor der skal behandles.

- Bær beskyttelsesbeklædning, beskyttelseshandsker, sikkerhedsbriller og en beskyttelsesmaske ved enhver håndtering af sprøjten: påfyldning, spredning, rengøring, skift af produkt, vedligeholdelse (fig. 7).

- Hold andre personer og husdyr i rimelig afstand under sprøjtningen (fig. 8).

- Ryg, drik og spis ikke under brugen.

- Dette redskab må ikke anvendes, hvis du er træt, syg eller under påvirkning af alkohol, stoffer eller medicin.

- Af sikkerhedsgrunde må denne sprøjte må ikke sluttes til andet udstyr. Den må kun anvendes med originale dele eller tilbehør fra HOZELOCK. Alle sprøjtes dele udgør et hele og medvirker til dens gode drift og redskabets og dermed brugerens sikkerhed.

## DRIFT

- Overhold fabrikantens anvisninger for behandlingsprodukterne (dosering, anvendelsesmåde, skylning).

- Klargør kun den produktmængde, der er strengt nødvendig, og kun til én påføring.

- Doseringen er nem takket være den synlige doseringsinddeling på beholderen. Beholderen er tilstrækkelig gennemsigtig til, at væskniveauet er synligt set udefra.

- Klargøring af opløsningen der skal sprøjtes:

a) Produkt i pulverform (opløseligt eller sprøjtapulver): Klargør i en spand, før det overføres i beholderen gennem påfyldningshullet.

b) Flydende produkt (skal fortyndes i vand): Hæld 1 til 2 liter vand i beholderen, hæld dosen af det flydende produkt i, og fyld efter med vand til den ønskede kvalitet (Fig. 19).

### Under brug

- Skru manuelt påfyldningsdækslet på beholderen (Fig. 19).

- Pump 7 gange med sprøjterøret lukket for at sætte beholderen under tryk (Fig. 20).

- Sprøjt ved at trykke på afbryderen på håndtaget (Fig. 21).

- Pump fra tid til anden ved at trykke på pumpehåndtaget for at bevare trykket under sprøjtning.

- Fortsæt med indstilling af strålen ved at dreje dysen i begge retninger (Fig. 22, afhængigt af modellen). 22.b Frigør grebet for sprøjtemønstret indstilles. Sikre at pilen står ud for tallet for at undgå lækage).

- EKSTRAUDSTYR (afhængigt af modellen): 1 bar-trykregulatoren leverer et konstant sprøjtetryk. Som følge heraf: Finder sprøjtningen sted ved konstant tryk, også selv om sprøjten er indstillet til et højere tryk end dette. Sprøjtningen stopper, når sprøjtetrykket falder til under designtrykket (vær forsigtig, der er stadig resttryk i beholderen). Pump igen for at sætte redskabet under tryk.

- Der kan fås et udvalg af tilbehør for at sikre en behandling afpasset efter de forskellige brugs måder (sprøjtebom til udkrudtbekæmpelse, teleskopisk lanse, tragt til ukrudtbekæmpelse, ...) (Fig. 18).

Se vores hjemmeside på [www.hozelock.com](http://www.hozelock.com)

## Efter brug/rengøring

Efter hver brug:

- Undgå risiko for forurening ved at op- eller indsamle ikke anvendt produkt og produktets emballage.
- Vask hænder og ansigt i rent vand efter brug af sprøjten.
- Sprøjten må aldrig henstilles, når den er tryksat.
- Hvis du sprøjter, til der er luft i strålen, skal du blive ved, til der ikke er mere tryk. Den resterende mængde væske er mindre end 250 ml.
- Der må aldrig opbevares behandlingsprodukt inde i sprøjten.
- Opbevar sprøjten på et beskyttet sted uden for børns rækkevidde.
- Rengør filterhåndtaget, påfyldningsfilteret og dysen med rent vand, når trykket i enheden er aflastet ved at sprøjte uden at aktivere pumpehåndtaget. (Fig. 23-24).
- Før henstilling og før enhver brug med et andet behandlingsprodukt, skal der udføres en skylning, dvs. tilføjes 1 liter vand til fortynding i beholderen, bland godt og brug til at få skyllet alle redskabets komponenter. Denne skylning skal udføres uden at afmontere det tilbehør, der er anvendt under behandlingen. Denne skylleblending må under ingen omstændigheder kastes kloakken, men skal udsprøjtes på det terræn, der allerede er blevet behandlet.
- Skylningen gentages flere gange før henstilling for vinteren.
- Skylning af sprøjte udstyret med trykregulator: Hæld 1 liter vand i sprøjten, sæt under tryk, og sprøjt i en dertil velegnet beholder, indtil al væsken er udtømt, og der kommer luft ud af dysen. Tag trykregulatoren af, sæt sprøjterøret på håndtaget igen, og aktivér aftrækkeren, så trykket aflastes helt.

Obs! Hvis du forsøger at tage trykregulatoren af, selvom der stadig er rester af produktet i sprøjten, skal du bruge handsker, og du må ikke aktivere håndtagets aftrækker. Efter behandlingen skal du sætte trykregulatoren på igen for at udføre skylleoperationen som beskrevet ovenfor.

- Hvis der stadig er ubrugt behandlingsprodukt i beholderen, skal det resttryk udluftes, der stadig måtte være i enheden, ved at sprøjte uden at aktivere pumpehåndtaget. Indsaml eventuelt overskydende produkt, og skyl igen sprøjten som beskrevet ovenfor.

- Inden brug igen, også hvis det er straks, med en anden opløsning til sprøjtning, skal skylningen gentages 3 gange.

- Inden brug igen, også hvis det er straks, med det samme behandlingsprodukt eller med et andet behandlingsprodukt, skal du kontrollere, at sprøjten fungerer, som den skal.

## VEDLIGEHODELSE / SERVICE

Periodisk ved start efter vinteren og flere gange i løbet af sæsonen smøres alle samlinger med smørefedt (med en silikone smørefedt til sprøjter), og det skal kontrolleres, at sprøjten fungerer, som den skal.

- Rengør dysen og dyseholderen (Fig. 23).

- Rengør lansens filter (Fig. 24).

- Afmonter pumpen (Fig. 25).

- Smør med smørefedt, eller udskift ventilen og samlingerne (Fig. 25).

- Sprøjten er udstyret med en beholder der modstår UV-stråling.

## PROBLEMER / AFHJÆLPNINGER

Problemer	Afhjælpninger
Svag eller ingen sprøjtning	Kontroller, at alle samlinger er godt strammet til.
	Kontroller, at alle samlinger er smurte og rene og ikke er beskadigede eller slidte Udskift dem om nødvendigt (kontakt forbrugerservice).
	Rengør dysen og filtrene.
Sprøjtningen er ikke lige	Rengør dysen.
Udsivninger	Kontroller, at alle samlinger er godt strammet til.
	Kontroller, at alle samlinger er smurte og rene og ikke er beskadigede eller slidte Udskift dem om nødvendigt (kontakt forbrugerservice).
Efter et stykke tid er det umuligt at bevæge grebet	Sørg for, at slangen er korrekt og godt monteret på røret. Sørg for, at rørets pakning er smurt med smørefedt, og at den ikke er beskadiget (fig. 25.A). Afmonter pumpens rør (fig. 25), udtøm vandet (fig. 26), og monter den på røret igen.

## GARANTI

### Udvidelse af kontraktlig garanti

Der er 3 års garanti på vores produkter. Ved mangel på bevis for købsdatoen af produkterne, gives den korte garanti at regne fra produktets fremstillingsdato (vises i bunden af produktet) (fig. 27).

Kontraktgarantien dækker ikke i følgende tilfælde:

- Normalt slid på sliddele: Samlinger, klapventiler, håndtag, dyse, slanger, bæresele og greb,
- Produkter, hvis brug ikke er i overensstemmelse med de tekniske anbefalinger
- Produkter, som er blevet misbrugt,
- Produkter, der ikke er blevet jævnligt vedligeholdt,

- Forringelse af produktet (slag, fald, knusning osv.) der stammer fra forsømmelighed, ikke korrekt vedligeholdelse, forkert brug eller unormal brug af produktet,

- Udskiftning af en komponent, som følge af tab af sprøjtens komponent.

### **Garantiens funktionsmåde**

Kontakt vores forhandler for at aktivere din garanti.

Vi beder dig om at opbevare købsbeviset (en læselig faktura eller en kassebon), som du bliver bedt om at fremvise i tilfælde af aktivering af den kontraktlige garanti.

Et produkt under garantien, der er blevet repareret eller erstattet, er under garanti i den resterende garantiperiode og under de oprindelige betingelser for den kontraktlige garanti, der blev givet ved købet.

Ethvert produkt, der returneres, er HOZELOCK's ejendom, når det er blevet erstattet af et nyt produkt.

### **EU-OVERENSSTEMMELSESERKLÆRING**

I henhold til BS EN ISO/IEC 17050-1:2004 erklærer HOZELOCK hermed, at følgende Hozelock tryksprøjte: PULSAR PLUS COMFORT (4712 / 4716 / 4416). er i overensstemmelse med de væsentligste krav for sundhed og sikkerhed i følgende direktiver: Maskindirektivet 2006/42/EF og dets reviderende direktiver inklusive 2009/127/EF og er i overensstemmelse med følgende standarder: ISO/FDIS 19932-1:2019(E) og ISO/FDIS 19932-2:2019(E)

### **I AVVERTENZE PER L'USO**

Il manuale originale è stato scritto e approvato in francese. Tutte le altre lingue sono traduzioni dell'originale. In caso di conflitto, imprecisioni o discrepanze tra la versione francese e quelle tradotte, fa fede la versione francese.

### **CAMPO D'APPLICAZIONE**

Questo apparecchio è concepito esclusivamente per l'applicazione di prodotti da GIARDINO (fungicidi, erbicidi, insetticidi).

In caso di dubbi è **OBBLIGATORIO** consultare il **Costruttore**.

**ATTENZIONE:** Questo apparecchio non deve contenere o polverizzare i prodotti clorati, dei solventi, i prodotti a base di acetone ed a base acida, la candeggina, i prodotti detersivi ed i disinfettanti.

### **MONTAGGIO**

Vedere le figure da **11 a 17**.

Possibilità di montare attrezzature opzionali, a seconda del modello (**Fig. 18**).

### **REGOLE DI SICUREZZA**

- Il polverizzatore deve essere utilizzato conformemente ai regolamenti locali/nazionali. Le avvertenze per l'uso fungono da formazione.

- Un polverizzatore è un apparecchio sotto pressione che può presentare dei rischi d'esplosione con proiezione di liquido se le raccomandazioni contenute in queste avvertenze non sono rispettate. In caso di dubbi consultare il costruttore.

- L'apparecchio è dotato di un interruttore sull'impugnatura che permette di interrompere l'alimentazione della lancia quando l'interruttore non è più premuto. Questo evita la contaminazione dell'operatore e dell'ambiente in caso di emergenza.

- Non smontare mai un elemento del polverizzatore senza avere tolto in precedenza la pressione.

- In caso di guasto, non effettuare la riparazione in mezzo al campo. Depressurizzare il dispositivo e intervenire in un luogo adatto per evitare qualsiasi contaminazione.

- Accertarsi del corretto funzionamento dell'apparecchio, verificando le tenute con qualche litro d'acqua nel serbatoio.

- L'apparecchio non deve essere utilizzato e conservato a temperature inferiori a 5°C e superiori a 40°C (**Fig. 2 e 3**).

- La soluzione da polverizzare non deve superare i 25°C (**Fig. 4**).

- Non utilizzare dei prodotti esplosivi, acidi e/o corrosivi nel polverizzatore (**Fig. 5 e 6**).

- Non polverizzare in direzione di fiamme o fonti di calore.

- Eseguire i trattamenti idealmente solo con condizioni climatiche calme (senza vento). Altrimenti dirigere il getto della polverizzazione nella direzione del vento per evitare di contaminare l'operatore.

- Per evitare la dispersione, polverizzare il più vicino possibile alla zona da trattare e in assenza di vento.

- Preservare l'ambiente, polverizzare solo sulle superfici da trattare.

- Indossare dei vestiti di protezione, dei guanti di protezione, degli occhiali di protezione e una maschera di protezione per qualsiasi manipolazione del polverizzatore: riempimento, polverizzazione, pulizia, sostituzione del prodotto, manutenzione (**Fig. 7**).

- Tenere terze persone e animali domestici a distanza ragionevole durante la polverizzazione (**Fig. 8**).

- Non fumare, bere o mangiare durante l'utilizzo.

- Questo apparecchio non deve essere utilizzato in caso di stanchezza, malattia, sotto l'effetto di alcool, droga o farmaci.

- Per ragioni di sicurezza il polverizzatore non deve essere collegato a un altro dispositivo. Deve essere usato solo con i pezzi originali o gli accessori HOZELOCK. Tutti i pezzi del polverizzatore partecipano al corretto funzionamento e alla sicurezza dell'apparecchio e dell'utilizzatore.

## FUNZIONAMENTO

- Rispettare le istruzioni del fabbricante dei prodotti di trattamento (dosaggio, modo di applicazione, risciacquo).

- Preparare solamente la quantità di prodotto strettamente necessaria e per una sola applicazione.

- Il dosaggio è facilitato dalla graduazione visibile sul serbatoio. Livello di liquido nella vaschetta visibile in trasparenza.

- Preparazione della soluzione da polverizzare:

a) Prodotto in polvere (solubile oppure bagnabile): preparare la soluzione in un secchio prima di travasarla nel serbatoio attraverso il foro di riempimento.

b) Prodotto a base liquida (da diluire in acqua): mettere da 1 a 2 litri d'acqua nel serbatoio, versare la dose di prodotto liquido, quindi rabboccare con acqua fino alla quantità desiderata (Fig. 19).

### Durante l'uso

- Avvitare manualmente il tappo di riempimento sul serbatoio (Fig. 19).

- Pompate da 7 volte, per la messa in pressione (Fig. 20).

- Polverizzare premendo sull'interruttore dell'impugnatura (Fig. 21).

- Pompate di tanto in tanto azionando la leva per mantenere la pressione durante la polverizzazione.

- Procedere alla regolazione del getto ruotando l'ugello nei due sensi (Fig. 22, a seconda del modello. 22.b Rilasciare il grilletto prima di ruotare l'ugello sulle varie posizioni. Assicurarsi che la freccia sia allineata con il numero prima di spruzzare. In caso contrario, potrebbero verificarsi perdite).

ATTREZZATURA OPZIONALE (a seconda del modello): il regolatore di pressione da 1 bar assicura una pressione di spruzzatura costante. Pertanto: La spruzzatura avviene ad una pressione costante, anche qualora lo spruzzatore sia impostato su valori di pressione superiori a questo. La spruzzatura termina quando la pressione scende al di sotto del valore impostato (attenzione alla presenza di pressione residua nel serbatoio!). Pompate di nuovo per pressurizzare l'apparecchiatura.

- È disponibile una gamma di accessori per assicurare un trattamento adatto ai diversi utilizzi (barra per diserbo, lancia telescopica, paraspruzzi...) (Fig. 18).

Vedere il sito internet [www.hozelock.com](http://www.hozelock.com)

### Dopo l'uso/Pulizia

Dopo ogni utilizzo:

- Evitare i rischi di inquinamento recuperando il prodotto non utilizzato, così come il suo imballaggio.

- Lavarsi le mani ed il viso con l'acqua dopo l'utilizzazione del polverizzatore.

- Non riporre mai il polverizzatore in pressione.

- Se si polverizza fino alla comparsa di aria nel getto, polverizzare fino a che non ci sia più pressione. Il volume residuo di liquido è inferiore a 250 ml.

- Non conservare mai il prodotto di trattamento all'interno del polverizzatore.

- Riporre il polverizzatore in un luogo riparato, fuori della portata dei bambini.

- Pulire il filtro dell'impugnatura, il filtro di riempimento e l'ugello con acqua pulita dopo aver eliminato la pressione residua nell'apparecchio polverizzando senza azionare la leva di pompaggio. (Fig. 23-24).

- Prima di riporlo e prima di qualsiasi altra utilizzazione con un altro prodotto per trattamenti, effettuare un risciacquo aggiungendo 1 litro di acqua nel serbatoio per diluire, mescolare bene e far funzionare per sciacquare l'insieme dei componenti del polverizzatore. Questa operazione di risciacquo va effettuata senza smontare gli accessori utilizzati durante il trattamento. Questa miscela di risciacquo non deve in nessun caso essere versata negli scarichi, ma essere polverizzata all'esterno sul terreno già trattato.

- Risciacquo con spruzzatore dotato di regolatore di pressione: versare 1 litro d'acqua nello spruzzatore, pressurizzare e spruzzare in un contenitore idoneo fino a che tutto il liquido è stato rimosso e dall'ugello esce solo acqua. Smontare il regolatore, rimontare la lancia sull'impugnatura e azionare il grilletto per depressurizzare completamente il polverizzatore.

Attenzione, se si vuole smontare il regolatore quando ancora c'è del prodotto nel polverizzatore, indossare i guanti e non azionare il grilletto dell'impugnatura. Alla fine del trattamento, rimontare il regolatore per effettuare il risciacquo come indicato qui sotto.

- Ripetere l'operazione più volte prima dello stoccaggio invernale.

- Se rimane ancora del prodotto non utilizzato, eliminare la pressione che può essere rimasta nell'apparecchio polverizzando senza azionare la leva di pompaggio.

Recuperare l'eventuale eccedenza del prodotto e sciacquare nuovamente come indicato sopra.

-Prima di qualsiasi altra utilizzazione, anche nell'immediato, con un'altra soluzione da polverizzare, ripetere per 3 volte di seguito l'operazione di risciacquo.

- Prima di qualsiasi altra utilizzazione, anche nell'immediato, con lo stesso prodotto per trattamenti o con un altro prodotto per trattamenti, verificare il corretto funzionamento del polverizzatore.

## MANUTENZIONE / CURA

Periodicamente, al riavvio dopo lo stoccaggio invernale e più volte per stagione, eseguire l'ingrassaggio di tutti i giunti (con un grasso al silicone per polverizzatore), e verificare il corretto funzionamento del polverizzatore.

- Pulire l'ugello e il porta-ugelli (Fig. 23)

- Pulire il filtro della lancia (Fig. 24)

- Smontare la pompa (Fig. 25)

- Lubrificare o sostituire la valvola e i giunti (Fig. 25)

- Il polverizzatore è dotato di un serbatoio che resiste ai raggi UV.

## PROBLEMI / SOLUZIONI

Problemi	Soluzioni
Polverizzazione scarsa o assente	Accertarsi che tutti i raccordi siano stretti bene.
	Accertarsi che tutti i giunti siano lubrificati e puliti, e non siano danneggiati o usurati. Sostituirli se necessario (contattare il servizio clienti).
	Pulire l'ugello e i filtri.
La polverizzazione non è dritta	Pulire l'ugello.
Perdite	Accertarsi che tutti i raccordi siano stretti bene.
	Accertarsi che tutti i giunti siano lubrificati e puliti, e non siano danneggiati o usurati. Sostituirli se necessario (contattare il servizio clienti).
Poco dopo, diventa impossibile azionare la leva.	Assicurarsi che il tubo sia correttamente montato sul collettore. Assicurarsi che il giunto del collettore sia correttamente lubrificato e che non sia danneggiato (Fig. 25. A). Smontare il collettore dalla pompa (Fig. 25), svuotare l'acqua (Fig. 26) e rimontarlo.

## GARANZIA

### Estensione della garanzia contrattuale

Garantiamo i nostri prodotti per una durata di 3 anni. In mancanza della prova della data d'acquisto dei prodotti, la garanzia decorre a partire dalla data di fabbricazione del prodotto (indicata sotto al prodotto) (Fig. 27).

La garanzia contrattuale non viene applicata per i seguenti casi:

- I componenti soggetti a usura normale: giunti, valvole, impugnatura, ugello, tubi, cinghie di trasporto, biella e leva,

- I prodotti che vengono utilizzati non conformemente alle raccomandazioni tecniche

- I prodotti dei quali si è fatto un uso abusivo,

- I prodotti che non sono stati sottoposti a manutenzioni regolare,

- I deterioramenti del prodotto (urti, cadute, schiacciamenti, ecc.) derivanti da negligenza, mancanza di manutenzione, utilizzazione difettosa o anormale del prodotto,

- La sostituzione di un componente a seguito della perdita di un componente del polverizzatore.

### Funzionamento della garanzia

Contattare il proprio rivenditore per far valere la garanzia.

Chiediamo di conservare la prova d'acquisto (fattura o scontrino leggibile) che sarà richiesta in caso di esecuzione della garanzia contrattuale.

Un prodotto in garanzia che è stato riparato o sostituito resta garantito per la durata restante alle condizioni iniziali della garanzia contrattuale concessa al momento dell'acquisto.

I prodotti restituiti diventano proprietà di HOZELOCK quando sono sostituiti da un prodotto nuovo.

## DICHIARAZIONE DI CONFORMITÀ UE

In conformità con BS EN ISO/IEC 17050-1:2004 HOZELOCK dichiara che il seguente spruzzatore a pressione Hozelock: PULSAR PLUS COMFORT (4712 / 4716 / 4416). È conforme ai requisiti essenziali di sicurezza e di tutela della salute delle seguenti direttive: Direttiva Macchine 2006/42/CE, come modificata dalla direttiva 2009/127/CE, e alle seguenti norme: ISO/FDIS 19932-1:2019(E) e ISO/FDIS 19932-2:2019(E)

## **P** **MANUAL DE UTILIZAÇÃO**

O manual original foi escrito e aprovado em Francês. Todos os outros idiomas são traduções do original. Na eventualidade de conflito, imprecisões ou divergências entre o Francês e os outros idiomas, prevalecerá a versão francesa.



## **DOMÍNIO DE APLICAÇÃO**

Este aparelho foi concebido exclusivamente para a aplicação dos produtos de JARDIM (fungicidas, herbicidas, inseticidas).

Em caso de dúvida, é **IMPERATIVO** consultar o **FABRICANTE**.

**ATENÇÃO:** Este aparelho não deve conter nem pulverizar produtos clorados, solventes, produtos à base de acetona e base ácida, lixívia, detergentes para a roupa e desinfetantes.

## **MONTAGEM**

Veja as figuras **11 a 17**.

Dependendo do modelo, montar o equipamento opcional (**Fig. 18**).

## **REGRAS DE SEGURANÇA**

- O pulverizador deve ser utilizado de acordo com as regulamentações locais / nacionais. O manual de utilização serve para a formação.

- Um pulverizador é um aparelho sob pressão que pode apresentar riscos de explosão, com a projeção de líquido, se não forem respeitadas as instruções constantes neste manual. Em caso de dúvida, consulte o fabricante.

- Este aparelho está equipado com um interruptor no punho, que permite cortar a alimentação da lança desde que o interruptor deixa de ser mantido, de maneira a evitar qualquer contaminação do operador e do ambiente em caso de emergência. - Nunca desmontar um elemento do pulverizador, sem ter cortado previamente a pressão.

- Em caso de problema, não efetuar a reparação em pleno campo. Despressurizar o aparelho e intervir num local adequado para evitar qualquer contaminação.

- Assegurar-se que o aparelho funciona corretamente verificando as estanqueidades com alguns litros de água no depósito.

- O aparelho não deve ser utilizado a temperaturas inferiores a 5°C e superiores a 40°C (**Fig. 2 e 3**).

- A solução a pulverizar não deverá exceder 25°C (**Fig. 4**).

- Não utilizar produtos explosivos, ácidos e/ou corrosivos no pulverizador (**Fig. 5 e 6**).

- Não pulverizar na direção de chamas ou de fontes de calor.

- Tratar apenas, idealmente, com tempo calmo (sem vento) ou senão, dirigir o jato de pulverização no sentido do vento para evitar de contaminar o operador.

- Para evitar a deriva, pulverizar o mais perto possível da zona a tratar e sem vento.

- Preservar o meio ambiente, apenas pulverizar as superfícies a tratar.

- Usar roupas de proteção, luvas de proteção, óculos de proteção e uma máscara de proteção para toda manipulação do pulverizador: enchimento, pulverização, limpeza, mudança de produto, conservação (**Fig. 7**).

- Manter terceiro e animais domésticos a uma distância razoável durante a pulverização (**Fig. 8**).

- Não fumar, beber nem comer durante a utilização.

- Este aparelho não deve ser utilizado em caso de fadiga, doença, sob a influência de álcool, drogas ou medicamentos.

- Este pulverizador não deve ser conectado a um outro equipamento por razões de segurança. Deve ser utilizado unicamente com as peças de origem ou os acessórios HOZELOCK. Todas as peças do pulverizador participam ao bom funcionamento e à segurança do aparelho e do utilizador.

## **FUNCIONAMENTO**

- Respeitar as instruções do fabricante de produtos de tratamento (dosagem, modo de aplicação, lavagem).

- Preparar apenas a quantidade de produto estritamente necessária e para uma única aplicação.

- A dosagem é facilitada com a graduação visível no depósito. Nível de líquido no recipiente visível por transparência.

- Preparação da solução para pulverizar.

a) Produto em pó (solúvel ou molhável): preparar a solução num balde antes de a verter no depósito pelo orifício de enchimento.

b) Produto de base líquida (a diluir em água): colocar 1 a 2 litros de água no depósito, verter a dose de produto líquido, e depois completar com a quantidade desejada de água (**Fig. 19**).

### **Na utilização**

- Verter manualmente a tampa de cheio no reservatório (**Fig. 19**).

- Bombear 7 vezes, para dar pressão (**Fig. 20**).

- Pulverizar premindo o interruptor do punho (**Fig. 21**).

- Bombear de vez em quando acionando a alavanca para manter a pressão durante a pulverização

- Proceder à regulação do jato, girando o bico nos dois sentidos (**Fig. 22**, dependendo do modelo. **22.b** Solte o gatilho de pulverização antes de girar o bico para ajustar a sua posição. Certifique-se de que a seta está alinhada com o número desejado antes de pulverizar. Não o fazer pode resultar em fugas).

- EQUIPAMENTO OPCIONAL (dependendo do modelo): o regulador de pressão de 1 bar fornece uma pressão constante de pulverização. Portanto: A pulverização é realizada a uma pressão constante, mesmo que o pulverizador seja ajustado a uma pressão superior a esta. A pulverização para quando a pressão do pulverizador desce abaixo da pressão especificada (tenha cuidado, ainda existe uma pressão residual no depósito). Bombear novamente para pressurizar o aparelho.

- Uma gama de acessórios está disponível para assegurar um tratamento adaptado às diferentes utilizações (rampa de monda, lança telescópica, tampa de monda...) (**Fig. 18**). Ver o site internet [www.hozelock.com](http://www.hozelock.com)

### **Após a utilização / Limpeza**

Após cada utilização:

- Evitar os riscos de poluição recuperando o produto não utilizado, bem como a sua embalagem.

- Lavar as mãos e o rosto com água limpa após a utilização do pulverizador.

- Nunca guardar o pulverizador sob pressão.

- Se pulverizar até ao aparecimento de ar no jato, pulverize até que não haja mais pressão. O volume residual do líquido é inferior a 250 ml.

- Nunca conservar o produto de tratamento no interior do pulverizador.

- Colocar o pulverizador num local fechado, fora do alcance de crianças.

- Limpar o filtro do punho, o filtro de enchimento e o bico com água limpa depois de ter eliminado a pressão que possa subsistir no aparelho pulverizando sem acionar a alavanca da bomba (**Fig. 23-24**).

- Antes de guardar e antes de qualquer outra utilização com outro produto de tratamento, efetuar uma operação de enxaguamento, ou seja, juntar 1 litro de água para diluir no depósito, misturar bem e deixar funcionar para lavar o conjunto dos componentes do aparelho. Esta operação de lavagem deve ser efetuada sem desmontar os acessórios utilizados no tratamento. Esta mistura proveniente da lavagem não deve em caso algum ser deitada no esgoto, mas sim pulverizada no exterior sobre o terreno já tratado.

- Lavagem com pulverizador equipado com regulador de pressão: adicionar 1 litro de água no pulverizador, pressurizar e pulverizar dentro de um recipiente adequado até que todo o líquido tenha sido evacuado e saia ar pelo bocal. Desmontar o regulador, montar novamente a lança no punho e acionar o gatilho de maneira a despressurizar totalmente o pulverizador.

Atenção, se quiser desmontar o regulador quando ainda resta produto no pulverizador, use luvas e não acione o gatilho do punho. No fim do tratamento, montar novamente o regulador para proceder à operação de lavagem como acima indicado.

- Repetir a operação várias vezes antes da invernada.

- Se sobejar mistura do produto de tratamento não utilizada, eliminar a pressão residual que possa subsistir no aparelho, pulverizando sem acionar a alavanca de bombeamento. Recuperar o eventual excedente de produto e enxaguar novamente o pulverizador como acima indicado.

- Antes de qualquer nova utilização, mesmo que imediata, com uma solução de pulverização diferente, repetir 3 vezes de seguida a operação de enxaguamento.

- Antes de qualquer outra utilização, mesmo que seja imediata, com o mesmo produto de tratamento ou com outro produto de tratamento, verificar o bom funcionamento do pulverizador.

## **MANUTENÇÃO / CONSERVAÇÃO**

Periodicamente, ao reiniciar após a invernada e várias vezes por temporada, lubrificar todas as juntas (com massa de silicone para pulverizador) e verificar o bom funcionamento do pulverizador.

- Limpar o bico e o porta-bico (**Fig. 23**)

- Limpar o filtro da lança (**Fig. 24**)

- Desmontar a bomba (**Fig. 25**)

- Lubrificar ou substituir a válvula e as juntas (**Fig. 25**)

- O pulverizador está equipado com um reservatório resistente à radiação UV.

## **PROBLEMAS / SOLUÇÕES**

Problemas	Soluções
Pulverização fraca ou inexistente	Certificar-se de que todas as uniões estão bem apertadas.
	Certificar-se de que todas as juntas estão lubrificadas e limpas, e não estão deterioradas ou gastas. Substituí-las se necessário (contactar o serviço ao consumidor).
	Limpar o bico e os filtros.

Problemas	Soluções
A pulverização não é reta	Limpar o bico.
Fugas	Certificar-se de que todas as uniões estão bem apertadas.
	Certificar-se de que todas as juntas estão lubrificadas e limpas, e não estão deterioradas ou gastas. Substituí-las se necessário (contactar o serviço ao consumidor).
Após algum tempo, torna-se impossível acionar a alavanca	Certificar-se de que o tubo está corretamente montado na tubagem. Certificar-se de que a junta da tubagem está lubrificada e não está deteriorada (Fig. 25.A). Desmontar a tubagem da bomba (Fig. 25), esvaziá-la da sua água (Fig.26) e montar novamente a tubagem.

## GARANTIA

### Extensão da garantia contratual

Garantimos os nossos produtos durante um período de 3 anos. Na falta do comprovativo da data de compra dos produtos, a Garantia conta a partir da data de fabrico do produto (indicada sob o produto) (Fig. 27).

A garantia contratual não se aplica nos casos seguintes:

- As peças de desgaste normal: juntas, válvulas, punho, bico, tubos, precintas de portabilidade, biela e alavanca,
- Produtos utilizados contra as recomendações técnicas.
- Os produtos dos quais é feita uma utilização abusiva;
- Os produtos que não são sujeitos a uma manutenção regular,
- A degradação do produto (choques, quedas, esmagamento, etc.) proveniente de negligência, falhas na manutenção, utilização defeituosa ou anormal do produto,
- A substituição de um componente, depois de uma perda de um componente do pulverizador.

### Funcionamento da garantia

Contacte o seu revendedor para utilizar a sua garantia.

Pedimos-lhe que guarde o seu comprovativo de compra (fatura ou recibo legíveis), que lhe será pedido em caso de utilização da Garantia Contratual.

Um produto sob garantia que foi reparado ou substituído, continua sob a garantia para a duração restante e nas condições iniciais da Garantia Contratual atribuída aquando da compra.

Todos os produtos devolvidos tornam-se propriedade da HOZELOCK quando substituídos por produtos novos.

## DECLARAÇÃO DE CONFORMIDADE UE

De acordo com a BS EN ISO/IEC 17050-1:2004 a HOZELOCK declara que os seguintes Pulverizadores sob Pressão da Hozelock: PULSAR PLUS COMFORT (4712 / 4716 / 4416) Cumprem as exigências essenciais de saúde e segurança das seguintes Diretivas: Diretiva Máquinas 2006/42/EC e suas diretivas de modificação, incluindo a 2009/127/EC e são conformes às seguintes normas: ISO/FDIS 19932-1:2019(E) e ISO/FDIS 19932-2:2019(E)

## PL INSTRUKCJA OBSŁUGI

Oryginalna instrukcja została napisana i zatwierdzona w języku francuskim. Wszystkie pozostałe języki są tłumaczeniami oryginału. W przypadku konfliktu, niedokładności lub rozbieżności między wersją w języku francuskim a innymi językami, wersja francuska będzie rozstrzygająca.



## ZAKRES ZASTOSOWANIA

Urządzenie zostało zaprojektowane wyłącznie do rozpylania produktów OGRODNICZYCH (grzybobójczych, chwastobójczych, owadobójczych).

W razie jakichkolwiek wątpliwości należy OBOWIĄZKOWO zwrócić się do PRODUCENTA.

**UWAGA:** Urządzenie nie może zawierać ani rozpylać środków zawierających chlor, rozpuszczalników, środków na bazie acetonu i kwasu, wody z Javel (wody chlorowanej), środków zawierających proszki do prania i środków dezynfekcyjnych.

## MONTAŻ

Zobacz ryciny od 11 do 17.

W zależności od modelu, należy zamontować wyposażenie opcjonalne (Rys. 18).

## PRZEPISY BEZPIECZEŃSTWA

- Opryskiwacz powinien być używany zgodnie z obowiązującymi przepisami lokalnymi / krajowymi. Instrukcja obsługi odpowiada przeszkoleniu.

- Opryskiwacz jest urządzeniem ciśnieniowym, który w przypadku nieprzestrzegania zaleceń podanych w niniejszej instrukcji może powodować ryzyko wybuchu z rozpyleniem płynu.



W razie jakichkolwiek wątpliwości należy zwrócić się do producenta.

- Urządzenie jest wyposażone w przełącznik na uchwycie, który pozwala na odcięcie zasilania lancy, kiedy tylko przełącznik nie jest dłużej wciskany, aby uniknąć zanieczyszczenia operatora i środowiska w przypadku awarii.
- Nigdy nie demontować jakiegokolwiek elementu opryskiwacza, który jest jeszcze pod ciśnieniem.
- W przypadku awarii nie należy rozwiązywać problemów na polu uprawnym. Usunąć ciśnienie z urządzenia i wykonać prace w odpowiednim miejscu, aby uniknąć zanieczyszczenia.
- Upewnić się, czy urządzenie działa prawidłowo, sprawdzając szczelność poprzez wlanie kilku litrów wody do zbiornika.
- Urządzenie nie może być wykorzystywane i przechowywane w temperaturze niższej od 5°C oraz wyższej od 40°C (**Rys. 2 i 3**).
- Temperatura rozpylanego roztworu nie może przekraczać 25°C (**Rys. 4**).
- Nie używać w opryskiwaczu produktów wybuchowych, kwasów ani produktów żrących (**Rys. 5 i 6**).
- Nie rozpylać w kierunku otwartego ognia ani źródła ciepła.
- W miarę możliwości należy wykonywać opryskiwanie tylko przy spokojnej pogodzie (bez wiatru), a jeśli nie, kierować strumień rozpylający w kierunku wiatru, aby uniknąć zanieczyszczenia operatora.
- Aby uniknąć rozpryskiwania produktu, opryskiwać jak najbliżej obszaru, który tego wymaga, przy bezwietrznej pogodzie.
- Chronić środowisko, rozpylając tylko na powierzchni, które tego wymagają.
- Należy zawsze nosić odzież ochronną, rękawice ochronne, okulary i maskę na twarz podczas wykonywania jakichkolwiek prac z opryskiwaczem: napełnianie, opryskiwanie, czyszczenie, zmiana produktu, konserwacja itd. (**Rys. 7**).
- Osoby trzecie oraz zwierzęta powinny podczas opryskiwania znajdować się w bezpiecznej odległości (**Rys. 8**).
- Podczas opryskiwania nie palić tytoniu, nie spożywać posiłków ani napojów.
- Nie używać urządzenia w przypadku zmęczenia, choroby, pod wpływem alkoholu, narkotyków lub leków.
- Ze względów bezpieczeństwa ten opryskiwacz nie może być podłączany do żadnego innego urządzenia. Należy używać go wyłącznie z oryginalnymi częściami lub akcesoriami firmy HÖZELOCK.

Wszystkie części opryskiwacza przyczyniają się do prawidłowego funkcjonowania i bezpieczeństwa urządzenia oraz użytkownika.

## FUNKCJONOWANIE

- Stosować się do zaleceń producenta środków ochronnych (pod względem dawkowania, sposobu nakładania, płukania itd.).
  - Każdorazowo przygotowywać tylko taką ilość mieszanki, jaka jest potrzebna do jednorazowego użycia.
  - Dozowanie jest łatwe dzięki podziałce znajdującej się na zbiorniku. Poziom cieczy jest widoczny, ponieważ zbiornik jest przezroczysty.
  - Przygotowanie roztworu do rozpylania:
    - a) Produkt w proszku (rozpuszczalny lub mieszalny): przygotować roztwór w wiadrze, a następnie wlać go do zbiornika przez otwór do napełniania.
    - b) Produkt na bazie płynu (do rozpuszczenia w wodzie): Wlać od 1 do 2 litrów wody do zbiornika, dodać odpowiednią ilość produktu, a następnie dopełnić zbiornik wymagającą ilością wody (**Rys. 19**).
  - Podczas użytkowania**
    - Ręcznie przykręcić korek napełniania do zbiornika (**Rys. 19**).
    - Aby zwiększyć ciśnienie, wykonać ruch pompowania od 7 razy przy zamkniętej lancy (**Rys. 20**).
    - Naciskając spust na uchwycie, rozpocząć opryskiwanie (**Rys. 21**).
    - Aby utrzymywać ciśnienie podczas opryskiwania, od czasu do czasu pompować za pomocą dźwigni."
    - Obracając dyszą w obu kierunkach, wyregulować strumień (**Rys. 22**, w zależności od modelu. **22.b** Zwolnij spust przed ustawieniem dyszy do wybranej funkcji. Upewnij się, że strzałka jest ustawiona w linii z wybraną funkcją przed rozpoczęciem podlewania. W przeciwnym razie błędne ustawienie może spowodować przeciekanie).
    - WYPOSAŻENIE OPCJONALNE (w zależności od modelu): regulator ciśnienia 1 bar zapewnia stałe ciśnienie opryskiwania. W związku z powyższym: Opryskiwanie odbywa się pod stałym ciśnieniem, nawet jeśli opryskiwacz jest ustawiony na wyższe ciśnienie. Opryskiwanie zatrzymuje się, gdy ciśnienie opryskiwacza spadnie poniżej ciśnienia nominalnego (uwaga, w zbiorniku nadal występuje ciśnienie resztkowe). Należy ponownie napompować, aby zwiększyć ciśnienie w urządzeniu.
    - Dostępny jest szereg akcesoriów (rampa do odchwaszczania, lanca teleskopowa, osłona do odchwaszczania...) (**Rys. 18**) zapewniających możliwość wykorzystywania urządzenia do różnych zastosowań.
- Patrz na witrynie internetowej [www.hozelock.com](http://www.hozelock.com)

## Po użyciu/czyszczenie

Po każdym użyciu:

- Unikać zanieczyszczenia środowiska poprzez zebranie niezużytego produktu oraz jego opakowania.
  - Po każdym użyciu opryskiwacza umyć ręce i twarz czystą wodą.
  - Nigdy nie przechowywać opryskiwacza pod ciśnieniem.
  - W przypadku rozpylania do momentu pojawienia się powietrza w strumieniu kontynuować rozpylanie do momentu zredukowania ciśnienia do zera. Objętość resztkowa płynu jest mniejsza niż 250 ml.
  - Nigdy nie przechowywać środków do opryskiwania wewnątrz opryskiwacza.
  - Opryskiwacz przechowywać w miejscu zamkniętym, niedostępnym dla dzieci.
  - Wyczyścić filtr uchwyty i filtr zasysania w zbiorniku, jeżeli opryskiwacz jest w nie wyposażony.
  - Uwolnić ciśnienie z urządzenia, wykonując rozpylanie bez pompowania za pomocą dźwigni, a następnie wypłukać czystą wodą filtr uchwyty, filtr wlewu i dyszę. (Rys. 23-24)
  - Przed schowaniem oraz przed każdym następnym użyciem z wykorzystaniem innego środka ochronnego wykonać płukanie, tj. wlać 1 litr wody w celu rozcieńczenia pozostałego produktu, dokładnie wymieszać, a następnie uruchomić urządzenie, aby wypłukać wszystkie jego elementy. Płukanie należy wykonywać bez demontażu akcesoriów używanych podczas opryskiwania. Mieszanki pochodzącej z płukania w żadnym wypadku nie można wylewać do kanalizacji, lecz należy ją rozpryskać na terenie, gdzie już zostało przeprowadzone opryskiwanie.
  - Powtórzyć operację kilkakrotnie przed okresem zimowym. Płukanie opryskiwacza wyposażonego w regulator ciśnienia: wlać 1 litr wody do opryskiwacza, zwiększyć ciśnienie i rozpylić do odpowiedniego pojemnika, aż cała ciecz zostanie opróżniona i powietrze wydostanie się z dyszy. Zdemontować regulator, zamontować lancę na uchwycie i nacisnąć spust, aby całkowicie uwolnić ciśnienie z opryskiwacza.
- Uwaga, jeżeli regulator ma zostać zdemontowany, a w opryskiwaczu jest jeszcze resztkowa ciecz, należy zakładać rękawice i nie naciskać spustu na uchwycie. Po zakończeniu opryskiwania, aby wykonać płukanie opisane powyżej, zamontować regulator.
- W przypadku pozostania resztki niezużytego środka ochronnego należy zwolnić ciśnienie resztkowe w urządzeniu, kontynuując rozpylanie bez pompowania z użyciem dźwigni. Zebrać ewentualny nadmiar produktu i ponownie wypłukać opryskiwacz według powyższych wskazówek.

Przed każdym ponownym użyciem, nawet natychmiastowym, z użyciem innego środka płukanie należy powtórzyć 3-krotnie.

- Przed każdym ponownym użyciem, nawet natychmiastowym, z użyciem tego samego środka należy sprawdzić prawidłowe działanie opryskiwacza (szczególnie zaworu).

## KONSERWACJA / UTRZYMANIE

Okresowo, podczas uruchamiania po okresie zimowym oraz kilka razy w sezonie, smarować wszystkie uszczelki (smarem silikonowym do opryskiwaczy) i sprawdzać prawidłowe działanie opryskiwacza.

- Wyczyścić dyszę i uchwyt dysz (Rys. 23)
- Wyczyścić filtr lancy (Rys. 24)
- Zdemontować pompę (Rys. 25)
- Nasmarować lub wymienić osłonę i uszczelki (Rys. 25)
- Opryskiwacz jest wyposażony w zbiornik odporny na promieniowanie UV.

## PROBLEMY / ROZWIĄZANIA

Problemy	Rozwiązania
Słabe rozpylanie lub brak rozpylania	Sprawdzić, czy wszystkie złącza są prawidłowo dokręcone.
	Sprawdzić, czy wszystkie uszczelki są posmarowane i czyste oraz czy nie są one uszkodzone lub zużyte. W razie potrzeby wymienić (skontaktować się z działem obsługi klienta).
	Wyczyścić dyszę i filtry.
Rozpylanie nie odbywa się prosto	Wyczyścić dyszę.
Wycieki	Sprawdzić, czy wszystkie złącza są prawidłowo dokręcone.
	Sprawdzić, czy wszystkie uszczelki są posmarowane i czyste oraz czy nie są one uszkodzone lub zużyte. W razie potrzeby wymienić (skontaktować się z działem obsługi klienta).
Po pewnym czasie użycie dźwigni będzie niemożliwe	Upewnić się, że przewód rurowy jest prawidłowo zamocowany do złączki. Upewnić się, że uszczelka złączki jest nasmarowana i nie jest w żaden sposób uszkodzona (Rys. 25.A). Odłączyć złączkę od pompy (Rys. 25), opróżnić ją z wody (Rys.26) i ponownie zamontować złączkę.

## GWARANCJA

### Rozszerzenie gwarancji umownej

Nasze produkty są objęte 3-letnią gwarancją. W przypadku braku dowodu zakupu gwarancja wchodzi w życie z dniem produkcji urządzenia (podanym pod urządzeniem) (Rys. 27).

Γωαρανκία υμωvna nie obejmuje:

- Części zużywających się: uszczelki, zawory, rączki, dysza, przewody, szelki, drążek i dźwignia,
- Urządzeń, które były wykorzystywane w sposób niezgodny z zaleceniami technicznymi
- Urządzeń nadmiernie eksploatowanych,
- Urządzeń, które nie były regularnie konserwowane,
- Uszkodzeń urządzenia (uderzenia, upadki, zmiżdżenie itp.) wynikających z zaniedbania, błędów konserwacji, szkodliwego lub nieprawidłowego użycia produktu,
- Wymiany w wyniku zagubienia elementów opryskiwacza.

### **Obowięzywanie gwarancji**

Aby skorzystać z gwarancji, należy skontaktować się ze sprzedawcą.

Prosimy o zachowanie dowodu zakupu (faktury lub paragonu), o który zostaną Państwo poproszeni w przypadku skorzystania z gwarancji umownej.

Urządzenie w okresie gwarancyjnym, które zostało naprawione lub wymienione, objęte jest gwarancją na pozostały okres na początkowych warunkach gwarancji umownej przyznanej w momencie zakupu.

Wszystkie urządzenia odesłane i wymienione na urządzenia nowe stają się własnością HOZELOCK.

## **DEKLARACJA ZGODNOŚCI UE**

Zgodnie z normą BS EN ISO/IEC 17050-1:2004 firma HOZELOCK oświadcza, że następujące opryskiwacze ciśnieniowe Hozelock: PULSAR PLUS COMFORT (4712 / 4716 / 4416) spełniają zasadnicze wymagania dotyczące zdrowia i bezpieczeństwa następujących dyrektyw: Dyrektywa maszynowa 2006/42/WE i dyrektywy, które ją modyfikują, w tym 2009/127/WE i są zgodne z następującymi normami: ISO/FDIS 19932-1:2019(E) i ISO/FDIS 19932-2:2019(E)

## **GR ΟΔΗΓΙΕΣ ΧΡΗΣΗΣ**

Το αρχικό εγχειρίδιο συντάχθηκε και εγκρίθηκε στα γαλλικά. Όλες οι άλλες γλώσσες είναι μεταφράσεις του πρωτοτύπου. Σε περίπτωση σύγχυσης, ανακρίβειας ή ασυμφωνίας μεταξύ γαλλικών και άλλων γλωσσών, υπερισχύει η γαλλική έκδοση.



## **ΤΟΜΕΑΣ ΕΦΑΡΜΟΓΗΣ**

Η συσκευή αυτή προορίζεται αποκλειστικά για τον ψεκασμό προϊόντων ΚΗΠΟΥ (μυκητοκτόνων, ζιζανιοκτόνων, εντομοκτόνων).

Σε περίπτωση αμφιβολίας, πρέπει ΑΠΑΡΑΙΤΗΤΩΣ να συμβουλευτείτε τον ΚΑΤΑΣΚΕΥΑΣΤΗ.

ΠΡΟΣΟΧΗ: Η συσκευή αυτή δεν πρέπει να περιέχει ούτε να ψεκάζει χλωριούχα προϊόντα, διαλυτικά, προϊόντα με βάση την ακετόνη ή με όξινη βάση, χλωρίνη, απορρυπαντικά και απολυμαντικά.

## **ΣΥΝΑΡΜΟΛΟΓΗΣΗ**

Βλέπε εικόνες 11 έως 17.

Ανάλογα με το μοντέλο, συναρμολογήστε τον προαιρετικό εξοπλισμό (Εικ. 18).

## **ΚΑΝΟΝΕΣ ΑΣΦΑΛΕΙΑΣ**

- Ο ψεκαστήρας πρέπει να χρησιμοποιείται σύμφωνα με τους εθνικούς / τοπικούς κανόνες. Οι Οδηγίες χρήσης παίζουν τον ρόλο εκπαίδευσης.
- Ο ψεκαστήρας είναι μια συσκευή υπό πίεση η οποία, σε περίπτωση μη τήρησης των οδηγιών που αναφέρονται στο παρόν φυλλάδιο, μπορεί να παρουσιάσει κίνδυνο έκρηξης με εκτόξευση υγρού. Σε περίπτωση αμφιβολίας, συμβουλευτείτε τον κατασκευαστή.
- Η λαβή της συσκευής αυτής διαθέτει έναν διακόπτη ο οποίος μόλις απελευθερώνεται σταματά την τροφοδότηση του αυλού προκειμένου να αποφευχθεί τυχόν μόλυνση του χειριστή και του περιβάλλοντος σε περίπτωση έκτακτης ανάγκης.
- Μην αποσυναρμολογείτε ποτέ τα εξαρτήματα του ψεκαστήρα εάν δεν έχετε εκτονώσει την πίεση.
- Σε περίπτωση βλάβης, μην προβείτε σε επιδιόρθωση επί τόπου. Εκτονώστε τη συσκευή και επέμβετε σε κατάλληλο μέρος προκειμένου να αποφευχθεί τυχόν μόλυνση.
- Για να βεβαιωθείτε ότι η συσκευή λειτουργεί σωστά ελέγξτε τη στεγανότητά της γεμίζοντας το ρεζερβουάρ με μερικά λίτρα νερό.
- Η συσκευή δεν πρέπει να χρησιμοποιείται και να αποθηκεύεται σε θερμοκρασίες κάτω των 5°C και άνω των 40°C (Εικ. 2 και 3).
- Το προς ψεκασμό διάλυμα δεν πρέπει να υπερβαίνει τους 25°C (Εικ. 4)
- Μην χρησιμοποιείτε τον ψεκαστήρα σας με εκρηκτικά, οξέα ή/και διαβρωτικά προϊόντα (Εικ. 5 και 6).
- Μην ψεκάζετε προς την κατεύθυνση φλόγας ή πηγής θερμότητας.

- Χρησιμοποιείτε μόνο με ήρεμο καιρό (άπνοια) και σε διαφορετική περίπτωση κατευθύνοντας τον πίδακα ψεκασμού προς την κατεύθυνση του αέρα προκειμένου να αποφευχθεί η μόλυνση του χειριστή.

- Προς αποφυγή απόκλισης, ψεκάζετε όσο πιο κοντά γίνεται στην προς επεξεργασία περιοχή και χωρίς αέρα.

- Προστατεύετε το περιβάλλον ψεκάζοντας αποκλειστικά τις προς ψεκασμό επιφάνειες.

- Φοράτε προστατευτική ενδυμασία, προστατευτικά γάντια προστατευτικά γυαλιά και προστατευτική μάσκα για κάθε χειρισμό του ψεκαστήρα: πλήρωση, ψεκασμό, καθάρισμα, αντικατάσταση προϊόντος, συντήρηση (Εικ. 7).

- Κρατάτε τυχόν τρίτους και κατοικίδια σε λογική απόσταση κατά τη διάρκεια του ψεκασμού (Εικ. 8).

- Μην καπνίζετε, μην τρώτε και μην πίνετε κατά τη διάρκεια της χρήσης.

- Η συσκευή αυτή δεν πρέπει να χρησιμοποιείται σε περίπτωση κόπωσης και ασθένειας, ή υπό την επήρεια οινοπνεύματος, ναρκωτικών ουσιών ή άλλων φαρμάκων.

- Για λόγους ασφαλείας ο ψεκαστήρας αυτός δεν πρέπει να συνδυαστεί με άλλον εξοπλισμό. Πρέπει να χρησιμοποιείται μόνο με γνήσια εξαρτήματα ή ανταλλακτικά της HOZELOCK. Όλα τα εξαρτήματα του ψεκαστήρα συμμετέχουν στην ορθή λειτουργία και στην ασφάλεια της συσκευής και του χρήστη.

## ΛΕΙΤΟΥΡΓΙΑ

- Τηρείτε τις οδηγίες των παρασκευαστών των προϊόντων ψεκασμού (δοσολογία, τρόπος εφαρμογής, έκπλυση).

- Προτοιμάζετε μόνο την απολύτως απαραίτητη ποσότητα προϊόντος και για έναν μόνο ψεκασμό.

- Η δοσολογία διευκολύνεται χάρη στην ορατή διαβάθμιση του ρεζερβουάρ. Ορατή στάθμη του υγρού στο δοχείο χάρη στο διαφανές υλικό.

- Προτοιμασία του προς ψεκασμό διαλύματος:

α) Προϊόντα σε σκόνη (διαλυτά ή βρέξιμα): προτοιμάστε το διάλυμα σε έναν κουβά πριν το μεταγγίσετε στο ρεζερβουάρ από το στόμιο πλήρωσης.

β) Προϊόντα σε υγρή κατάσταση (αραιώνονται με νερό): ρίξτε 1 με 2 λίτρα νερό στο ρεζερβουάρ, ρίξτε τη δόση υγρού προϊόντος και συμπληρώστε με νερό μέχρι την επιθυμητή ποσότητα (Εικ. 19).

### Κατά τη χρήση

- Βιδώστε με το χέρι την τάπα πλήρωσης επάνω στο ρεζερβουάρ (Εικ. 19).

- Αντλήστε 7 φορές με κλειστό αυλό για θέση υπό πίεση (Εικ. 20).

- Ψεκάστε πατώντας τον διακόπτη της λαβής (Εικ. 21).

- Αντλείτε κάθε τόσο ενεργοποιώντας το μοχλό.

- Προβείτε στη ρύθμιση του πίδακα στρέφοντας το μπεκ προς τις δύο κατευθύνσεις (Εικ. 22, ανάλογα με το μοντέλο. 22.b Απελευθερώστε τη σκανδάλη πριν περιστρέψετε το ακροφύσιο σε διαφορετικές ρυθμίσεις. Βεβαιωθείτε ότι το βέλος ευθυγραμμίζεται με τον αριθμό πριν από τον ψεκασμό. Εάν δεν το κάνετε, ενδέχεται να προκληθούν διαρροές).

- ΠΡΟΑΙΡΕΤΙΚΟΣ ΕΞΟΠΛΙΣΜΟΣ (ανάλογα με το μοντέλο): ο ρυθμιστής πίεσης 1 bag παρέχει σταθερή πίεση ψεκασμού. Επομένως: Ο ψεκασμός εκτελείται με σταθερή πίεση, ακόμη και αν ο ψεκαστήρας έχει ρυθμιστεί σε υψηλότερη πίεση. Ο ψεκασμός σταματά όταν η πίεση του ψεκαστήρα πέσει κάτω από την προβλεπόμενη πίεση (προσοχή, εξακολουθεί να υπάρχει υπολειπόμενη πίεση στη δεξαμενή). Πιέστε ξανά για να αποκτήσει πίεση το μηχάνημα.

- Διατίθεται σειρά εξαρτημάτων προκειμένου να εξασφαλιζόμαστε ο κατάλληλος για κάθε χρήση ψεκασμός (μπάρα ζιζανιοκτονίας, τηλεσκοπικός αυλός, καμπίνα ζιζανιοκτονίας...) (Εικ. 18).

Επισκεφθείτε τον ιστότοπο [www.hozelock.com](http://www.hozelock.com)

### Μετά τη χρήση / Καθάρισμα

Μετά από κάθε χρήση:

- Αποφεύγετε τον κίνδυνο μόλυνσης συλλέγοντας το μη χρησιμοποιημένο προϊόν καθώς και τη συσκευασία του.

- Μετά τη χρήση του ψεκαστήρα, πλένετε τα χέρια και το πρόσωπό σας με καθαρό νερό.

- Μην τακτοποιείτε ποτέ τον ψεκαστήρα όσο βρίσκεται υπό πίεση.

- Εάν ψεκάσετε μέχρι να εμφανιστεί αέρας στον πίδακα, ψεκάστε μέχρι να μην υπάρχει πια πίεση. Ο υπολειμματικός όγκος υγρού είναι κάτω των 250 ml.

- Μην διατηρείτε ποτέ προϊόν ψεκασμού μέσα στον ψεκαστήρα.

- Τακτοποιείτε τον ψεκαστήρα σε μέρος κλειστό, μακριά από παιδιά.

- Καθαρίζετε το φίλτρο λαβής και το φίλτρο αναρρόφησης του ρεζερβουάρ εάν ο ψεκαστήρας διαθέτει τέτοιο φίλτρο.

- Καθαρίστε το φίλτρο της λαβής, το φίλτρο πλήρωσης και το μπεκ με καθαρό νερό αφού εξαλείψετε τυχόν εναπομένονα πίεση ψεκάζοντας χωρίς να ενεργοποιήσετε τον μοχλό άντλησης. (Εικ. 23-24).

- Πριν την τακτοποίηση και πριν από οποιαδήποτε άλλη χρήση με άλλο προϊόν ψεκασμού, προβείτε σε διαδικασία έκπλυσης, δηλαδή προσθέστε 1 λίτρο νερό μέσα στο ρεζερβουάρ για αραίωμα, αναδεύστε καλά και λειτουργήστε για να ξεπλυθεί το σύνολο των στοιχείων της συσκευής.

Αυτή η διαδικασία έκπλυσης πρέπει να πραγματοποιείται χωρίς να αφαιρεθούν τα εξαρτήματα που χρησιμοποιήθηκαν κατά τον ψεκασμό. Σε καμία περίπτωση μην απορρίψετε αυτό το μείγμα έκπλυσης στο δίκτυο αποχέτευσης, ψεκάστε το σε εξωτερικό χώρο στο ήδη ψεκασμένο έδαφος.

- Επαναλάβετε τη διαδικασία αρκετές φορές πριν τη χειμερινή αποθήκευση.

- Ξέπλυμα με ψεκαστήρα εφοδιασμένο με ρυθμιστή πίεσης: προσθέστε 1 λίτρο νερού στον ψεκαστήρα, πιέστε και ψεκάστε σε κατάλληλο δοχείο μέχρι να εκκενωθεί όλο το υγρό και ο αέρας να βγει από το ακροφύσιο. Αποσυναρμολογήστε τον ρυθμιστή,

επανατοποθετήστε τον αυλό επάνω στη λαβή και ενεργοποιήστε τη σκανδάλη έτσι ώστε να εκτονώσετε πλήρως τον ψεκαστήρα.

Προσοχή, εάν επιθυμείτε να αποσυναρμολογήσετε τον ρυθμιστή ενώ υπάρχει ακόμα προϊόν μέσα στον ψεκαστήρα, φορέστε γάντια και μην ενεργοποιήσετε τη σκανδάλη της λαβής. Στο τέλος της επεξεργασίας, επανατοποθετήστε τον ρυθμιστή ώστε να προβείτε στη διαδικασία έκπλυσης όπως αναφέρεται ανωτέρω.

- Εάν μείνει μη χρησιμοποιημένο προϊόν, εκτονώστε τη πίεση που τυχόν υπάρχει στη συσκευή ψεκάζοντας χωρίς να χρησιμοποιείτε τον μοχλό άντλησης. Συλλέξτε το τυχόν περίσσιο προϊόν και ξεπλύντε πάλι τον ψεκαστήρα όπως περιγράφεται παραπάνω.

- Πριν από οποιαδήποτε νέα χρήση, ακόμα και άμεση, με άλλο προϊόν ψεκασμού, επαναλάβετε τη διαδικασία έκπλυσης 3 φορές συνεχόμενα.

- Πριν από οιαδήποτε νέα χρήση, ακόμα και άμεση, με το ίδιο ή με άλλο προϊόν ψεκασμού, ελέγξτε τη σωστή λειτουργία του ψεκαστήρα.

## ΣΥΝΤΗΡΗΣΗ / ΑΠΟΚΑΤΑΣΤΑΣΗ

Ανά τακτά διαστήματα, στην εκ νέου εκκίνηση μετά από διαχείμαση και αρκετές φορές ανά σαιζόν, λιπαίνετε όλα τα παρεμβύσματα (με γράσο σιλικόνης για ψεκαστήρες) και ελέγχετε τη σωστή λειτουργία του ψεκαστήρα.

- Καθαρίστε το μπεκ και την υποδοχή του μπεκ (Εικ. 23)

- Καθαρίστε το φίλτρο του αυλού (Εικ. 24).

- Αποσπάστε την αντλία (Εικ. 25)

- Λιπάνετε ή αντικαταστήστε τη βαλβίδα και τις φλάντζες (Εικ. 25)

- Το ρεζερβουάρ του ψεκαστήρα είναι ανθεκτικό στην ακτινοβολία UV..

## ΠΡΟΒΛΗΜΑΤΑ / ΛΥΣΕΙΣ

Προβλήματα	Λύσεις
Ανεπαρκής ή καθόλου ψεκασμός	Βεβαιωθείτε ότι όλες οι συνδέσεις είναι καλά σφιγμένες.
	Βεβαιωθείτε ότι όλες οι φλάντζες έχουν λιπανθεί και είναι καθαρές και δεν παρουσιάζουν ζημιά ή φθορά. Αντικαταστήστε αν χρειάζεται (επικοινωνήστε με την υπηρεσία εξυπηρέτησης πελατών).
	Καθαρίστε το μπεκ και τα φίλτρα.
Ο ψεκασμός δεν είναι ευθύς	Καθαρίστε το μπεκ.
Διαρροές	Βεβαιωθείτε ότι όλες οι συνδέσεις είναι καλά σφιγμένες.
	Βεβαιωθείτε ότι όλες οι φλάντζες έχουν λιπανθεί και είναι καθαρές, και ότι δεν παρουσιάζουν ζημιά ή φθορά. Αντικαταστήστε αν χρειάζεται (επικοινωνήστε με την υπηρεσία εξυπηρέτησης πελατών).
Μετά από κάποιο διάστημα, ο μοχλός δεν μπορεί πια να ενεργοποιηθεί	Βεβαιωθείτε ότι ο σωλήνας είναι σωστά συνδεδεμένος στη σωλήνωση Βεβαιωθείτε ότι το παρέμβυσμα της σωλήνωσης έχει λιπανθεί και δεν έχει υποστεί ζημιά (Εικ. 25.A). Αποσπάστε τη σωλήνωση από την αντλία (Εικ. 25), αδειάστε το νερό που περιέχει (Εικ.26) και επανατοποθετήστε τη σωλήνωση.

## ΕΓΓΥΗΣΗ

### Παράταση της συμβατικής εγγύησης

Τα προϊόντα μας καλύπτονται με εγγύηση 3 ετών. Εάν δεν υπάρχει απόδειξη της ημερομηνίας αγοράς, η εγγύηση ξεκινά από την ημερομηνία παραγωγής του προϊόντος (αναφέρεται κάτω από το προϊόν) (Εικ. 27).

Η συμβατική εγγύηση δεν ισχύει στις παρακάτω περιπτώσεις:

- Εξαρτήματα που υπόκεινται σε φυσική φθορά: παρεμβύσματα, βαλβίδες, λαβή, μπεκ, σωλήνες, μάντες μεταφοράς, μπιέλα και μοχλός.

- Προϊόντα που δεν έχουν χρησιμοποιηθεί σύμφωνα με τις τεχνικές συστάσεις.

- Προϊόντα που υπόκεινται σε λανθασμένη χρήση.

- Προϊόντα που δεν υπόκεινται σε τακτική συντήρηση.

- Φθορές του προϊόντος (χτυπήματα, πτώσεις, σύνθλιψη, κ.λπ.) που οφείλονται σε αμέλεια, ελλιπή συντήρηση, λανθασμένη ή μη φυσιολογική χρήση του προϊόντος.

- Αντικατάσταση κάποιου στοιχείου, κατόπιν απώλειας στοιχείου του ψεκαστήρα.

### Λειτουργία της εγγύησης

Επικοινωνήστε με τον μεταπωλητή σας για να χρησιμοποιήσετε την εγγύηση.

Παρακαλείστε να διατηρήσετε την απόδειξη αγοράς σας (ευαγγώνιστο τιμολόγιο ή απόδειξη) διότι θα σας ζητηθεί σε περίπτωση ενεργοποίησης της συμβατικής εγγύησης.

Τα υπό εγγύηση προϊόντα τα οποία επισκευάζονται ή αντικαθιστώνται εξακολουθούν να καλύπτονται από εγγύηση για το εναπομένον διάστημα και υπό τους αρχικούς όρους της Συμβατικής εγγύησης που παρέχεται κατά την αγορά.

Οποιοδήποτε προϊόν επιστρέφεται περιέρχεται στην κυριότητα της HOZELOCK εφόσον αντικατασταθεί με καινούργιο προϊόν.

## ΔΗΛΩΣΗ ΣΥΜΜΟΡΦΩΣΗΣ ΤΗΣ ΕΕ

Σύμφωνα με το πρότυπο BS EN ISO / IEC 17050-1: 2004, η HOZELOCK δηλώνει ότι το παρακάτω ψεκαστικό πίεσης της Hozelock: PULSAR PLUS COMFORT (4712 / 4716 / 4416) συμμορφώνεται με τις βασικές απαιτήσεις υγείας και ασφάλειας των ακόλουθων οδηγιών: Οδηγία 2006/42/ΕΚ σχετικά με τα μηχανήματα και τις τροποποιητικές οδηγίες της, συμπεριλαμβανομένης της οδηγίας 2009/127 / ΕΚ και ότι συμμορφώνεται με τα ακόλουθα πρότυπα: ISO/FDIS 19932-1:2019(E) και ISO/FDIS 19932-2:2019(E)

## RU РУКОВОДСТВО ПО ЭКСПЛУАТАЦИИ

Оригинальная версия руководства была составлена и утверждена на французском языке. Все версии на других языках являются переводами оригинала. В случае несоответствия, расхождений или разночтений между версией на французском и других языках версия на французском имеет предпочтительную силу.

## ΟΒΛΑΣΤΗ ΑΡΧΗΣ ΑΡΧΗΣ

Это устройство предназначено исключительно для распыления САДОВЫХ средств (фунгицидов, гербицидов, инсектицидов).

В случае сомнения **ОБЯЗАТЕЛЬНО** обратитесь к ПРОИЗВОДИТЕЛЮ.

ВНИМАНИЕ! В это устройство запрещено заливать и с его помощью распылять средства, содержащие хлор или растворители, средства на основе ацетона или кислоты, жавелевую воду, моющие и дезинфицирующие средства.

## ΜΟΝΤΑΖ

Смотрите рисунки с **11 по 17**.

Соберите дополнительное оборудование в зависимости от модели (рис. 18).

## ΠΡΑΒΙΛΑ ΤΕΧΝΙΚΗΣ ΒΕΖΟΠΑΣΧΝΟΤΗΣ

- Во время работы с пульверизатором следует соблюдать местные и национальные нормативные требования. Настоящее руководство по эксплуатации представляет собой учебный материал.

- Пульверизатор представляет собой устройство под давлением; при несоблюдении правил, приведенных в настоящем руководстве, он может представлять угрозу взрыва и разбрызгивания жидкости. В случае возникновения сомнений обратитесь к производителю.

- Это устройство оснащено выключателем, установленным на ручке, который предназначен для отключения подачи раствора в штангу при его отпускании, что позволяет предотвратить загрязнение оператора и окружающей среды в экстренном случае.

- Не снимайте детали пульверизатора, не сбросив предварительно давление.

- В случае выхода пульверизатора из строя не проводите ремонт в полевых условиях. Во избежание загрязнения сброс давления и выполнение ремонтных операций следует проводить в специальном месте.

- Убедитесь в исправности устройства, залив в резервуар несколько литров воды для проверки герметичности.

- Запрещено использовать и хранить устройство при температуре ниже 5 °C и выше 40 °C (рис. 2 и 3).

- Температура раствора не должна превышать 25 °C (рис. 4).

- Не заполняйте пульверизатор взрывчатыми веществами и кислотами, а также едкими веществами (рис. 5 и 6).

- Не распыляйте раствор в направлении открытого огня и источников тепла.

- Используйте устройство только в спокойную (безветренную) погоду, в противном случае устройство необходимо держать по ветру во избежание попадания раствора на оператора.

- Во избежание отклонения устройства держать его необходимо как можно ближе к обрабатываемой области и в направлении ветра.

- Берегите окружающую среду, распыляйте раствор только на участки, подлежащие обработке.

- Во время работы с пульверизатором: во время его наполнения, опрыскивания, очистки, замены раствора и ухода надевайте средства индивидуальной защиты, защитные перчатки, очки или маску (рис. 7).

- Во время распыления люди и животные должны находиться на безопасном расстоянии (рис. 8).

- Во время эксплуатации устройства запрещено курить, пить или есть.

- Запрещено использовать это устройство в случае болезни, в состоянии усталости, состоянии алкогольного или наркотического опьянения или после приема лекарственных средств.

- В целях безопасности запрещено подсоединять пульверизатор к другим устройствам. Устройство следует использовать только с оригинальными запчастями и вспомогательными принадлежностями производства HOZELOCK. Каждая деталь пульверизатора обеспечивает исправную работу устройства, тем самым повышая безопасность как самого устройства, так и его пользователя.

## ЭКСПЛУАТАЦИЯ

- Соблюдайте инструкции производителя средств для обработки (дозировка, способ применения, ополаскивание).

- Приготовьте средство в объеме не больше, чем необходимо для одного применения.

- Градуировка на резервуаре устройства поможет обеспечить требуемую дозировку. Резервуар выполнен прозрачным, благодаря чему можно контролировать уровень жидкости.

- Приготовление раствора для обработки:

а) порошки (растворимые или смачивающиеся): приготовьте раствор в отдельной емкости и залейте в резервуар через заливное отверстие;

б) продукты на жидкостной основе (для разведения в воде): залейте в резервуар устройства 1–2 литра воды, залейте одну дозу средства и дополните водой до нужного объема (рис. 19).

### Во время использования

- Заверните ручную пробку заливной горловины на баке (Рис. 19).

- Для обеспечения давления прокачайте аппарат 7 раз с закрытой штангой (Рис.20).

- Распыляйте с помощью переключателя, расположенного на рукоятке (Рис. 21).

- Время от времени производите подкачку, действуя рычагом, чтобы поддерживать давление во время распыления.

- Регулировку напора струи выполняйте поворотом сопла в обоих направлениях (рис. 22, зависит от модели. 22.б Прежде чем вращать форсунку для смены режима, необходимо приостановить опрыскивание. Перед распылением убедитесь, что стрелка точно установлена на номер выбранного режима опрыскивания. Невыполнение этого требования может привести к утечкам).

- **ДОПОЛНИТЕЛЬНОЕ ОБОРУДОВАНИЕ** (зависит от модели): 1 регулятор барометрического давления обеспечивает постоянное давление при опрыскивании. Поэтому: опрыскивание осуществляется при постоянном давлении, даже если давление в опрыскивателе превышает указанное значение. Опрыскивание прекращается, если давление в опрыскивателе понижается до расчетного (необходимо соблюдать осторожность, поскольку в резервуаре сохраняется остаточное давление). Чтобы повысить давление в аппарате, следует накачать его повторно.

- Для достижения условий опрыскивания применительно к различным вариантам использования предлагается линейка вспомогательных принадлежностей (штанга для удаления сорняков, телескопическая штанга, колпак для опрыскивания сорняков и т. п.) (рис. 18).

См. веб-сайт [www.hozelock.com](http://www.hozelock.com).

### После использования / очистки

После каждого использования необходимо выполнять указанные ниже действия.

- Избегайте загрязнения окружающей среды: соберите неиспользованное средство и его упаковку.

- После использования пульверизатора вымойте руки и лицо чистой водой.

- Не храните пульверизатор, находящийся под давлением.

- При появлении воздуха в распыляемой струе продолжайте распыление до полного сброса давления. Объем оставшейся жидкости не превышает 250 мл.

- Никогда не оставляйте средство для обработки в пульверизаторе

- Храните пульверизатор в защищенном и недоступном для детей месте.

- Очистите фильтр рукоятки и впускной фильтр в резервуаре, если есть.

- После того как путем пульверизации без применения насосного рычага выполнен сброс остаточного давления, которое может существовать в устройстве, произведите очистку фильтра рукоятки, заправочного фильтра и сопла, используя для этого чистую воду. (рис. 23-24).

- Перед хранением или использованием любого другого средства для обработки промойте устройство, т. е. добавьте в резервуар 1 литр воды для разбавления, хорошо размешайте и приведите устройство в действие, чтобы ополоснуть все компоненты устройства. Операцию промывки следует выполнять без демонтажа принадлежностей, используемых при обработке. Запрещено сливать используемую для промывки смесь в канализацию. Ее следует распылить над обработанной площадью.

- Повторите операцию несколько раз, прежде чем убрать устройство на зимнее хранение.

- Очистка опрыскивателя с установленным регулятором давления: наполните опрыскиватель 1 л воды, повысьте давление и распыляйте в соответствующую емкость, пока жидкость не будет удалена, а из сопла не начнет поступать воздух. " Разберите регулятор, вновь установите штангу на рукоятку и нажмите на курок, чтобы полностью сбросить давление в пульверизаторе. Внимание! Если вы хотите снять регулятор, в то время как в пульверизаторе находится средство, вам следует носить перчатки и не нажимать на курок рукоятки. По окончании обработки соберите регулятор, чтобы провести операцию промывки, как описано выше.

- Если у вас остается неиспользованная смесь, сбросьте остаточное давление в устройстве, производя распыление без применения насосного рычага. Соберите возможный излишек средства и снова промойте пульверизатор, как указано выше.

- Перед каждым новым использованием устройства, даже спустя короткое время, с применением другого распыляемого вещества, следует повторить промывку три раза подряд.

- Перед любым новым использованием устройства, даже спустя короткое время, с применением того же или другого средства для обработки необходимо проверить исправность пульверизатора.

## ТЕХНИЧЕСКОЕ ОБСЛУЖИВАНИЕ И УХОД

Периодически перед возобновлением работ после зимнего хранения и не менее нескольких раз в сезон смазывайте все прокладки (силиконовой смазкой для пульверизатора) и проверяйте работу устройств.

- Почистите сопло и держатель сопла (рис. 23).

- Почистите фильтр штанги (рис. 24).

- Снимите насос (рис. 25).

- Смажьте или замените клапан и уплотнения (рис. 25).

- Резервуар пульверизатора устойчив к воздействию УФ-излучения.

## ПРОБЛЕМЫ И СПОСОБЫ ИХ УСТРАНЕНИЯ

Проблемы	Способы решения
Слабая струя или ее отсутствие.	Проверьте затяжку всех резьбовых соединений.
	Убедитесь в том, что все уплотнения очищены и смазаны, а также не повреждены и не изношены. При необходимости замените их (обратитесь в службу по работе с клиентами).
Опрыскивание происходит не по прямой линии	Очистите сопло.
Протечки	Проверьте затяжку всех резьбовых соединений.
	Убедитесь в том, что все уплотнения очищены и смазаны, а также не повреждены и не изношены. При необходимости замените их (обратитесь в службу по работе с клиентами).
Через некоторое время рычаг будет невозможно повернуть	Убедиться, что шланг насажен на штуцер Убедиться, что уплотнитель штуцера смазан и не поврежден (Рис.25.А) Отсоединить штуцер от насоса (Рис. 25), слить из него воду (Рис.26) и установить на место.

## ГАРАНТИЯ

### Условия договорной гарантии

Срок действия гарантии на продукцию составляет три года. В случае отсутствия подтверждения даты покупки изделия гарантия начинается от даты его изготовления (указывается на изделии) (рис. 27).



Действие договорной гарантии не распространяется на:

- детали с обычным износом: уплотнения, клапаны, рукоятку, сопло, трубку, ремни для переноски, шатун и рычаг;
- изделия, при использовании которых не были соблюдены технические рекомендации;
- изделия, которые эксплуатировались несоответствующим образом;
- изделия, которые не подлежат регулярному техническому обслуживанию;
- изделия с повреждениями (в результате ударов, падения, сдавливания и т. д.), произошедшими по небрежности, из-за отсутствия надлежащего технического обслуживания, неправильного или недопустимого использования изделий;
- детали, установленные после утери подлинного компонента пульверизатора.

### **Действие гарантии**

Чтобы воспользоваться гарантией, свяжитесь с дистрибьютором.

Сохраните документы, подтверждающие факт покупки (разборчивый счет или кассовый чек), которые необходимо будет предъявить в случае признания гарантии действующей.

Отремонтированное или замененное изделие, на которое распространяется гарантия, остается под ее действием на оставшийся период времени с учетом начальных условий гарантии, предоставленной при покупке.

После замены любые возвращаемые изделия становятся собственностью компании HOZELOCK.

## **ДЕКЛАРАЦИЯ СООТВЕТСТВИЯ ЕС**

Согласно BS EN ISO/IEC 17050-1:2004 HOZELOCK заявляет, что пневматический опрыскиватель Hozelock PULSAR PLUS COMFORT (4712 / 4716 / 4416) соответствует основным требованиям охраны труда и техники безопасности, Директиве о безопасности машин и оборудования 2006/42/ЕС и дополняющими директивами, включая 2009/127/ЕС, а также не противоречит стандартам ISO/FDIS 19932-1:2019(E) и ISO/FDIS 19932-2:2019(E)

## **RO MANUAL DE UTILIZARE**

Manualul original a fost redactat și aprobat în limba franceză. Toate celelalte manuale în alte limbi sunt traduceri ale originalului. În caz de conflict, imprecizii sau discrepanțe între limba franceză și celelalte limbi, versiunea franceză este cea prevalentă.



## **DESTINAȚIA**

Acest aparat este conceput exclusiv pentru aplicarea produselor JARDIN (fungicide, erbicide, insecticide).

În caz de dubiu, este **OBLIGATORIU** să consultați **FABRICANTUL**.

**ATENȚIE:** Acest aparat nu trebuie să conțină sau să pulverizeze produse care conțin clor, solvenți, produse pe bază de acetonă sau acizi, hipoclorit, produse sodice și dezinfectanți.

## **MONTAJ**

Vezi figurile **11-17**.

În funcție de model, asamblați echipamentele opționale (**Fig. 18**).

## **REGULI DE SIGURANȚĂ**

- Pulverizatorul se va utiliza conform reglementărilor locale/naționale. Manualul de utilizare are rol de instruire.
- Un pulverizator este un aparat sub presiune, care poate prezenta riscuri de explozie, stropire cu lichid, dacă nu sunt respectate recomandările din acest manual. În caz de dubii, consultați constructorul.
- Acest aparat este echipat cu un întrerupător pe mână, care permite întreruperea alimentării lansii atunci când întrerupătorul nu mai este apăsat, pentru a evita orice contaminare a operatorului și a mediului, în caz de urgență.
- Nu demontați niciodată elementele pulverizatorului, fără să fi eliberat în prealabil presiunea.
- În caz de defecțiune, nu efectuați depanarea în plin câmp. Depresurizați aparatul și interveniți într-un loc adaptat, pentru a evita orice contaminare.
- Asigurați-vă de buna funcționare a aparatului, verificând etanșeitatea cu câțiva litri de apă în rezervor.
- Aparatul nu trebuie să fie utilizat și depozitat la temperaturi mai mici de 5 °C și mai mari de 40 °C (**Fig. 2 și 3**).
- Soluția de pulverizat nu trebuie să depășească 25 °C (**Fig. 4**).
- Nu utilizați produse explozive, acide și/sau corozive în pulverizator (**Fig. 5 și 6**).
- Nu pulverizați înspre flăcări sau surse de căldură.
- Ideal, nu efectuați tratamentul decât pe vreme liniștită (fără vânt), în caz contrar dirijați jetul de pulverizare în sensul vântului, pentru a evita contaminarea operatorului.
- Pentru a evita deriva, pulverizați cât mai aproape posibil de zona de tratat și fără vânt.

- Protejați mediul, nu pulverizați decât pe suprafețele vizate.

- Purtați haine de protecție, mănuși de protecție, ochelari de protecție și o mască de protecție, la orice manipulare a pulverizatorului: umplere, pulverizare, curățare, schimbarea produsului, întreținere (Fig. 7).

- Țineți celelalte persoane și animale la o distanță rezonabilă, în timpul pulverizării (Fig. 8).

- Nu fumați, nu beți și nici nu mâncați în timpul utilizării.

- Acest aparat nu trebuie utilizat în stare de oboseală, boală, sub influența alcoolului, drogurilor sau a altui medicament.

- Din motive de siguranță, acest pulverizator nu trebuie racordat la alt echipament. Nu trebuie utilizat decât cu piese sau cu accesorii originale HOZELOCK. Toate piesele pulverizatorului participă la buna funcționare și la siguranța aparatului și a utilizatorului.

## FUNCȚIONARE

- Respectați instrucțiunile fabricantului de produse pentru stropire (dozaj, mod de aplicare, clătire).

- Preparați doar cantitatea de produs strict necesară, pentru o singură aplicare.

- Dozajul este facilitat datorită gradațiilor vizibile de pe rezervor. Nivelul de lichid din cuvă este vizibil datorită transparenței.

- Prepararea soluției de pulverizat:

a) Produs sub formă de pudră (solubilă sau umectabilă): preparați soluția într-o găleată, înainte de a o transfera în rezervor, prin orificiul de umplere.

b) Produs lichid (se va dilua cu apă): puneți 1 - 2 litri de apă în rezervor, turnați doza de produs lichid, apoi completați cu apă până la cantitatea dorită (Fig.19).

### La utilizare

- Fixați manual capacul de umplere pe rezervor (Fig. 19).

- Pompați de 7 ori tija închisă pentru a o pune sub presiune (Fig. 20).

- Pulverizați apăsând pe întrerupătorul de pe mâner (Fig. 21).

- Pompați din când în când acționând levierul astfel încât să mențineți presiunea în timpul operațiunii de pulverizare.

- Efectuați reglarea jetului, rotind duza în ambele sensuri (Fig. 22, în funcție de model. 22.b Eliberați declanșatorul înainte de a roti duza în diferite setări. Asigurați-vă că săgeata este aliniată cu numărul înainte de a pulveriza. Nerespectarea acestui lucru poate duce la scurgeri).

- ECHIPAMENTE OPȚIONALE (în funcție de model): regulatorul de presiune de 1 bar asigură o presiune de pulverizare constantă. Prin urmare: Pulverizarea se efectuează la presiune constantă, chiar dacă pulverizatorul este setat la o presiune mai mare decât aceasta.

Pulverizarea se oprește când presiunea pulverizatorului scade sub presiunea desemnată (fiți atenți, există încă presiune reziduală în rezervor). Pompați din nou pentru a presuriza aparatul.

- Este disponibilă o gamă de accesorii, pentru a asigura un tratament adaptat diverselor utilizări (rampă de erbicidare, lance telescopică, mască de erbicidare etc.) (Fig. 18).

Vezi site-ul Internet [www.hozelock.com](http://www.hozelock.com)

### După utilizare / Curățare

După fiecare utilizare:

- Evitați riscurile de poluare, recuperând atât produsul neutilizat, cât și ambalajul.

- Spălați-vă pe mâini și față cu apă curată, după utilizarea pulverizatorului.

- Nu depozitați niciodată pulverizatorul dacă este sub presiune.

- Dacă pulverizați până când apare aer în jet, pulverizați până când nu mai există presiune. Volumul rezidual de lichid este mai mic de 250 ml.

- Nu păstrați niciodată resturi de produs de tratat în interiorul pulverizatorului.

- Depozitați pulverizatorul într-un loc ferit, care nu se află la îndemâna copiilor.

- Curățați filtrul mânerului, filtrul de umplere și duza cu apă limpede după ce ați eliminat presiunea care mai putea fi prezentă în aparat pulverizând fără a acționa levierul de pompare. (Fig. 23-24).

- Înainte de depozitare și de orice altă utilizare cu un alt produs de tratat, efectuați o operație de clătire, adică adăugați 1 litru de apă în rezervor pentru diluare, amestecați bine și puneți în funcțiune pulverizatorul, pentru a clăti toate componentele aparatului. Această operațiune de clătire trebuie efectuată fără a demonta accesoriile utilizate în timpul tratamentului. Acest amestec de clătire nu trebuie, în niciun caz, să fie aruncat la canal, ci trebuie pulverizat în exterior, pe terenul deja tratat.

- Repetați operațiunea de mai multe ori înainte de a-l depozita pentru iarnă.

- Clătirea aparatului echipat cu regulatorul de presiune: adăugați 1 litru de apă în pulverizator, presurizați și pulverizați într-un recipient adecvat, până când a fost evacuat tot lichidul și din duză iese aer. Demontați regulatorul, montați din nou tija pe mâner și acționați declanșatorul astfel încât să depresurizați complet pulverizatorul.

Atenție, dacă doriți să demontați regulatorul astfel încât să rămână produs în pulverizator, purtați mănuși și nu acționați declanșatorul de la mâner.

La finalizarea tratamentului, remontați regulatorul pentru a continua cu operațiunea de clătire indicată mai sus.

- Dacă vă mai rămâne produs de tratare neutilizat, eliminați presiunea care mai poate exista în aparat pulverizând fără a acționa levierul de pompare. Recuperați produsul în exces dacă este cazul și clătiți din nou pulverizatorul conform indicațiilor de mai sus.
- Înainte de orice nouă utilizare, chiar și imediată, cu o altă soluție de pulverizat, repetați de 3 ori operația de clătire.
- Înainte de orice nouă utilizare, chiar și imediată, cu același produs de tratare sau cu un altul, verificați buna funcționare a pulverizatorului

## MENTENANȚĂ / ÎNTREȚINERE

Periodic, la reluarea activității după iarnă și de mai multe ori pe sezon, ungeți toate garniturile (cu o vaselină silonică pentru pulverizatoare) și verificați buna funcționare a pulverizatorului.

- Curățați duza și portduza (Fig. 21)
- Curățați filtrul lăncii (Fig. 22)
- Demontați pompa (Fig. 23)
- Gresați sau înlocuiți clapeta și garniturile (Fig. 23 A, B, C, D)
- Pulverizatorul este echipat cu un rezervor care rezistă la radiațiile UV.

## PROBLEME / SOLUȚII

Probleme	Soluții
Pulverizare slabă sau lipsă	Asigurați-vă că toate racordurile sunt bine strânse.
	Asigurați-vă că toate garniturile sunt unse și curate și că nu sunt deteriorate sau uzate. Înlocuiți-le, dacă este necesar (contactați serviciul clienți).
	Curățați duza și filtrele.
Pulverizarea nu este dreaptă	Curățați duza.
Pierderi	Asigurați-vă că toate racordurile sunt bine strânse.
	Asigurați-vă că toate garniturile sunt unse și curate și că nu sunt deteriorate sau uzate. Înlocuiți-le, dacă este necesar (contactați serviciul clienți).
După un timp, levierul nu mai poate fi acționat	Asigurați-vă că furtunul este bine montat pe tubulatură Asigurați-vă că elementul de legătură al tubulaturii este gresat și că nu prezintă deteriorări (Fig. 25.A) Demontați tubulatura pompei (Fig. 25), goliți aceasta (Fig. 26) și montați la loc tubulatura.

## GARANȚIE

### Extinderea garanției contractuale

Noi oferim o garanție a produselor noastre pe o durată de 3 ani. În lipsa dovezii cumpărării produselor, data de începere a Garanției este data de fabricare a produsului (indicată pe produs) (fig. 27).

Garanția contractuală nu se aplică în cazurile următoare:

- Piese de uzură normală: garnituri, clapete, mâner, duză, tubulatură, chingi de purtare, bielă și levier,
- Produsele care sunt folosite fără a respecta recomandările tehnice
- Produsele utilizate abuziv,
- Produsele care nu au beneficiat de întreținere regulată,
- Degradările produselor (lovire, cădere, spargere etc.) datorate neglijenței, întreținerii necorespunzătoare, utilizării defectuoase sau anormale a produsului,
- Înlocuire a unei componente în urma pierderii altei componente a pulverizatorului.

### Funcționarea garanției

Contactați distribuitorul, pentru a putea utiliza garanția.

Vă rugăm să păstrați dovada cumpărării (factura sau bonul de casă lizibil), care va va fi cerută în cazul aplicării garanției contractuale.

Un produs aflat în garanție care a fost reparat sau înlocuit își păstrează garanția pe durata rămasă și conform condițiilor inițiale ale garanției contractuale, stabilite la cumpărare.

Orice produs returnat devine proprietatea HOZELOCK când este înlocuit cu unul nou.

## DECLARAȚIA DE CONFORMITATE UE

În conformitate cu BS EN ISO/IEC 17050-1:2004 HOZELOCK declară că următoarele pulverizatoare Hozelock sub presiune: PULSAR PLUS COMFORT (4712 / 4716 / 4416) se conformează cerințelor esențiale privind sănătatea și siguranța cuprinse în următoarele Directive: Directiva 2006/42/CER privind echipamentele tehnice și Directivele care o modifică, inclusiv 2009/127/CE, conformându-se totodată următoarelor standarde: ISO/FDIS 19932-1:2019(E) și ISO/FDIS 19932-2:2019(E)

# HOZELOCK

Hozelock-Exel  
891 route des Frênes - 69653  
Villefranche-sur-Saône Cedex  
FRANCE

Hozelock Ltd  
Midpoint Park, Birmingham,  
B76 1AB. ENGLAND  
Tel: +44 (0) 121 313 1122

Hozelock Australia Pty Ltd  
Unit 42 / 74 Indian Drive  
Keysborough Victoria 3173  
Phone: 1300 275175  
Email: [australi@mail@hazelock.com](mailto:australi@mail@hazelock.com)

[www.hozelock.com](http://www.hozelock.com)

Ref. 585756